

GROUND FLOOR PLAN

Government of Nepal
 Ministry of Education
Central Level Project Implementation Unit (CLPIU)
 Gyaneshwor, Kathmandu

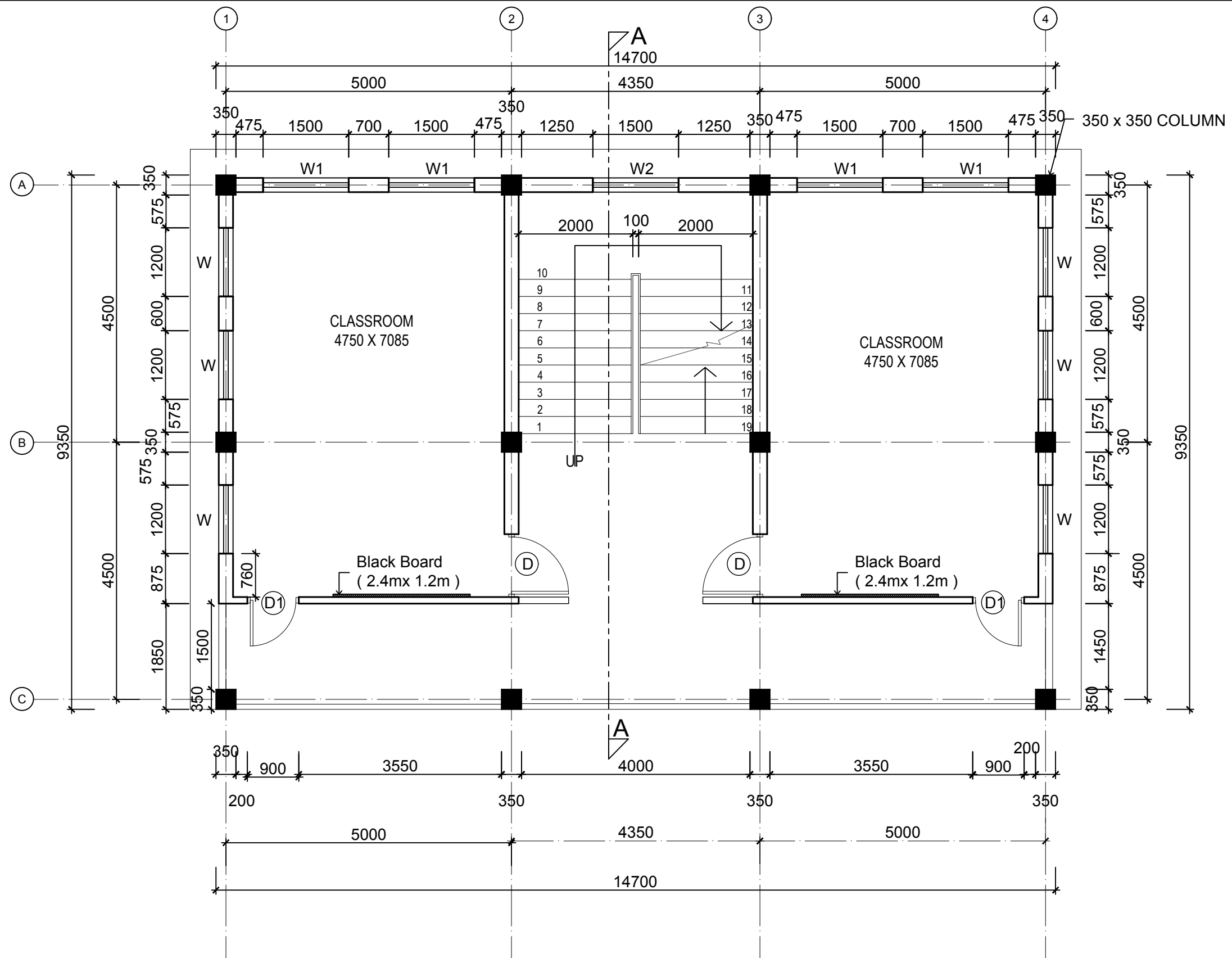
PROJECT :
 2 Storey 4 Classrooms
 Revised (Oct 2017)

TITLE :
 GROUND FLOOR PLAN

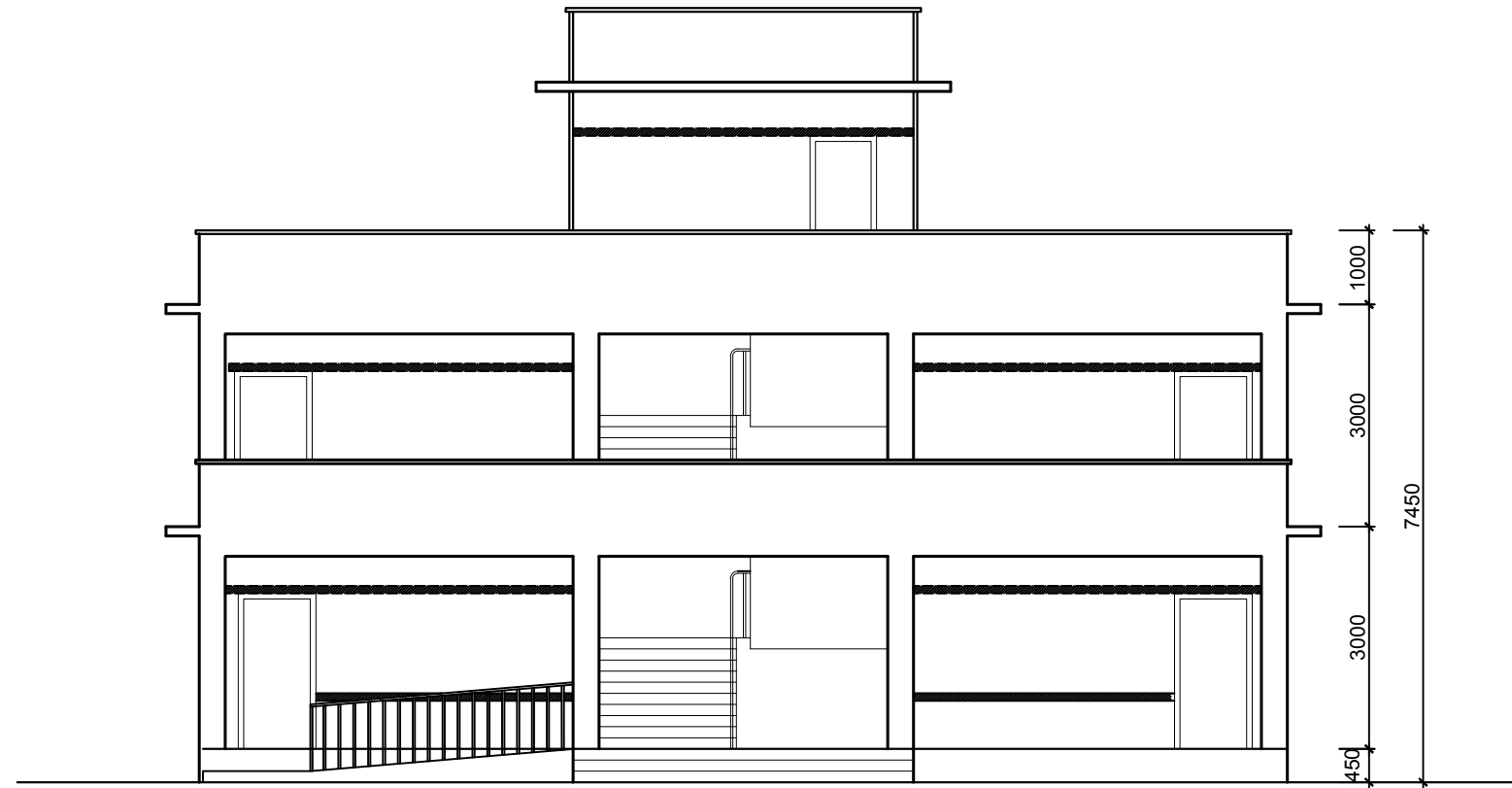
Date :	
Scale : 1:75	
Designed by :	
Checked by :	
Approved by :	

Sheet No:

1



FIRST FLOOR PLAN



FRONT ELEVATION



BACK ELEVATION

Government of Nepal
 Ministry of Education
Central Level Project Implementation Unit (CLPIU)
 Gyaneshwor, Kathmandu

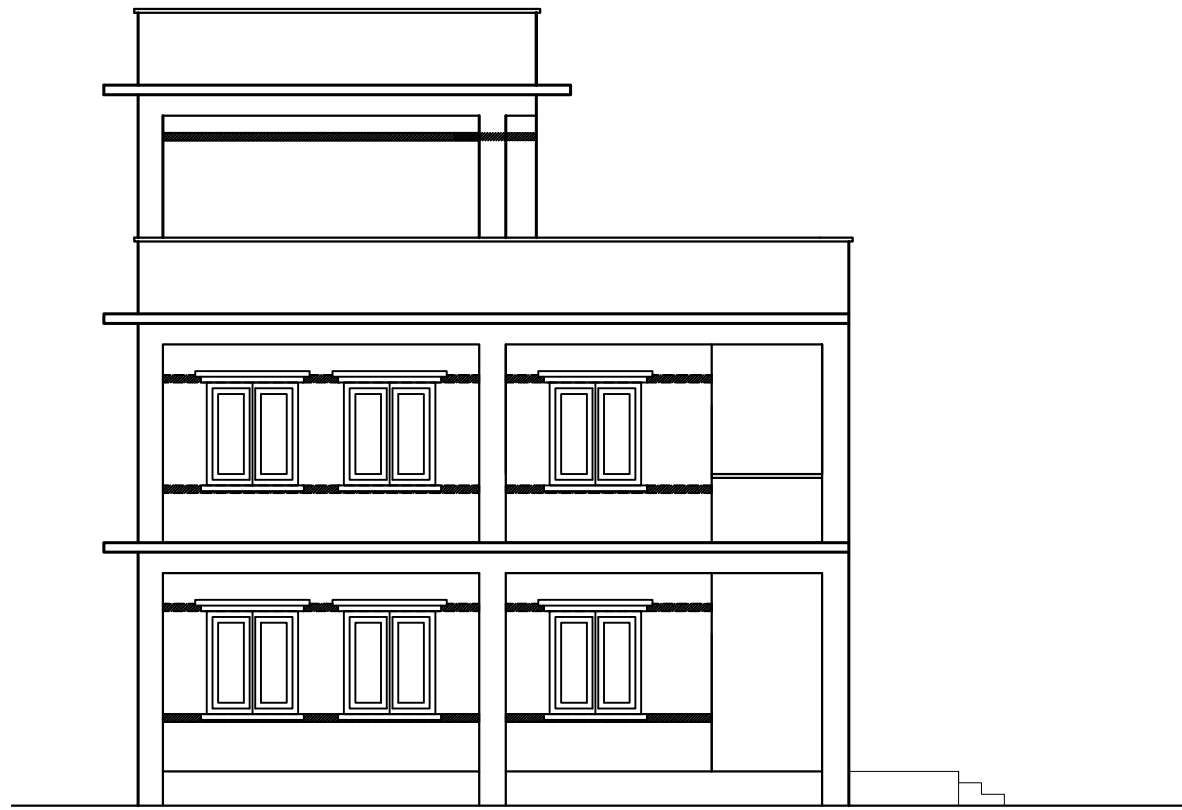
PROJECT :
 2 Storey 4 Classrooms
 Revised (Oct 2017)

TITLE :
 ELEVATIONS

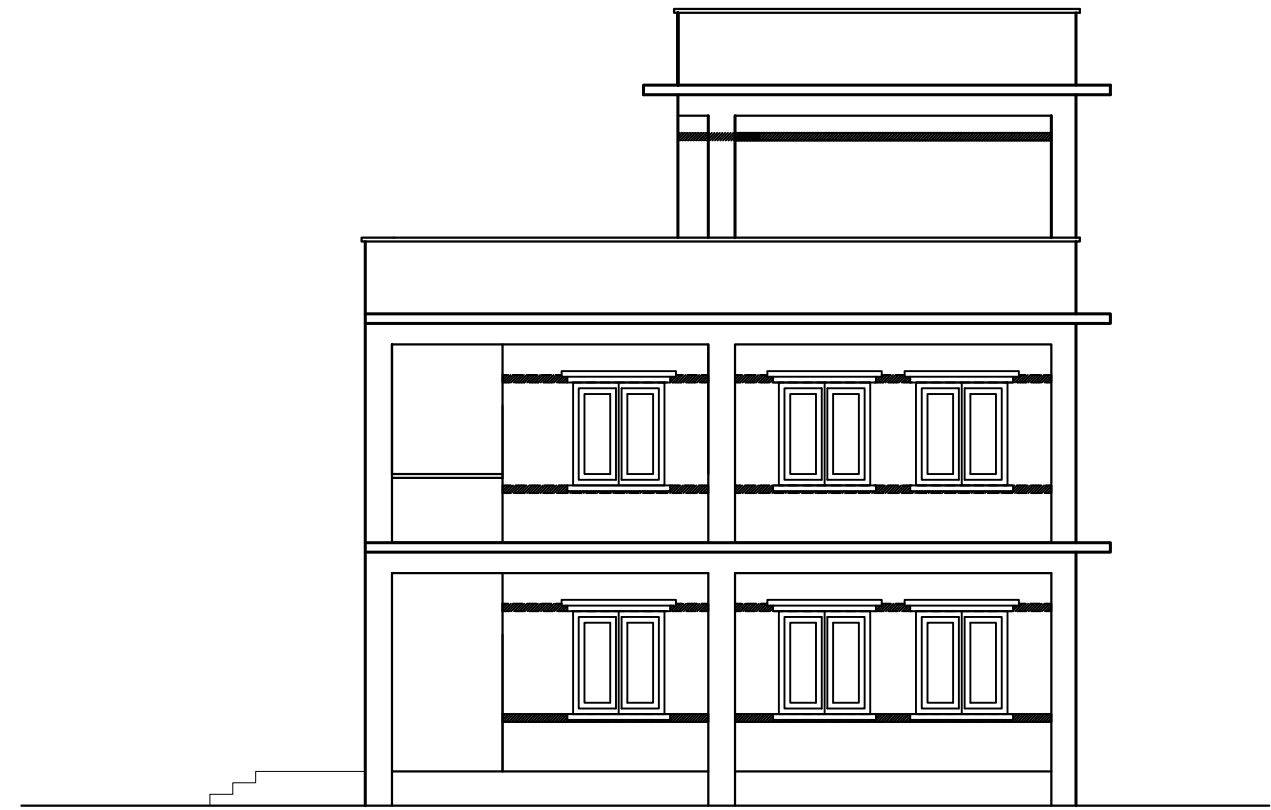
Date :	
Scale : 1:100	
	Designed by :
	Checked by :
	Approved by :

Sheet No:

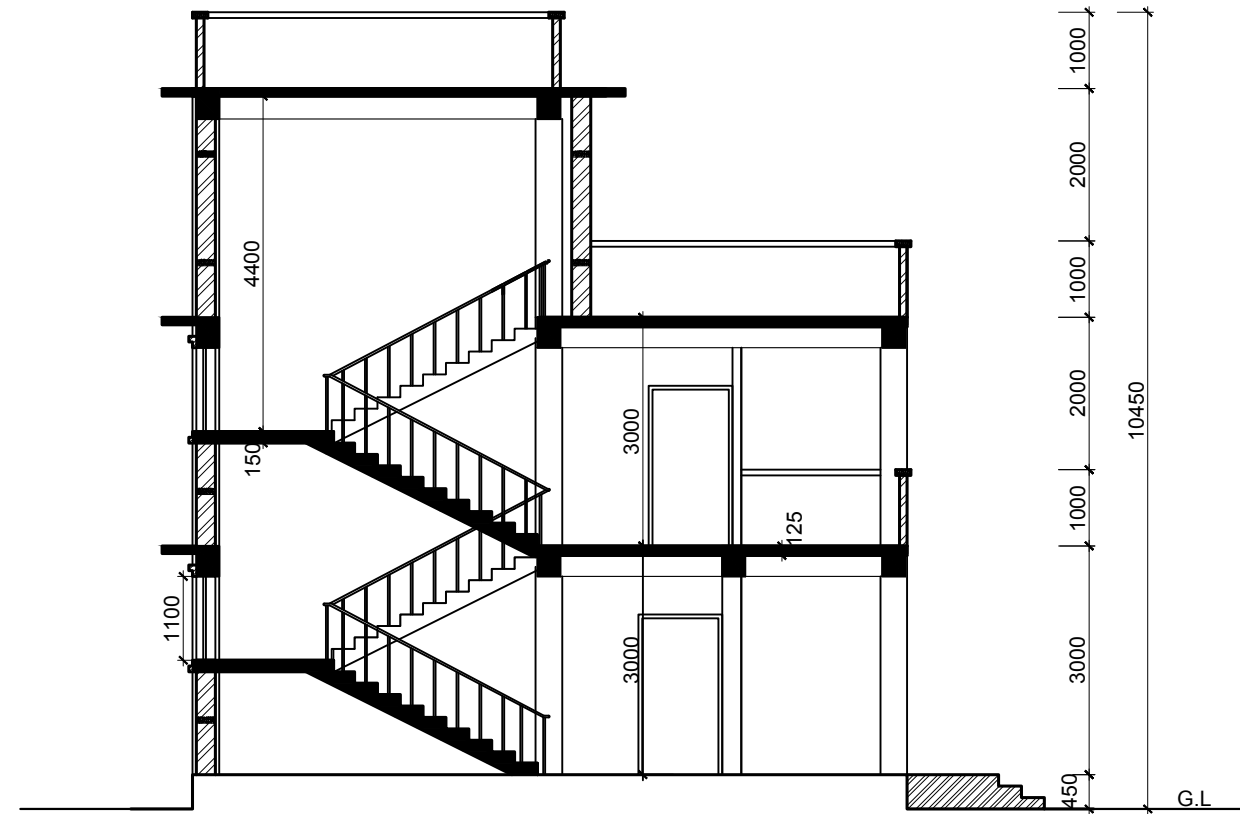
4



LEFT SIDE ELEVATION



RIGHT SIDE ELEVATION



SECTION AT A-A

Government of Nepal
 Ministry of Education
 Central Level Project Implementation Unit (CLPIU)
 Gyaneshwor, Kathmandu

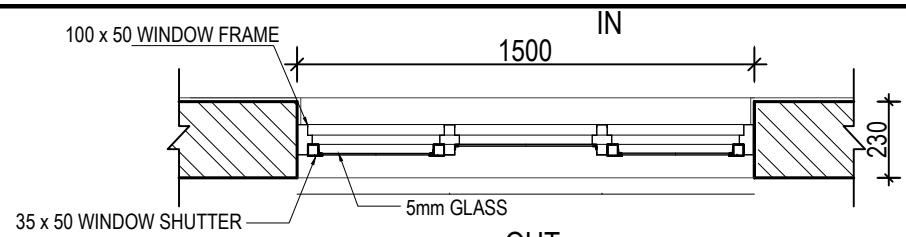
PROJECT :
 2 Storey 4 Classrooms
 Revised (Oct 2017)

TITLE :
 ELEVATIONS AND
 SECTION

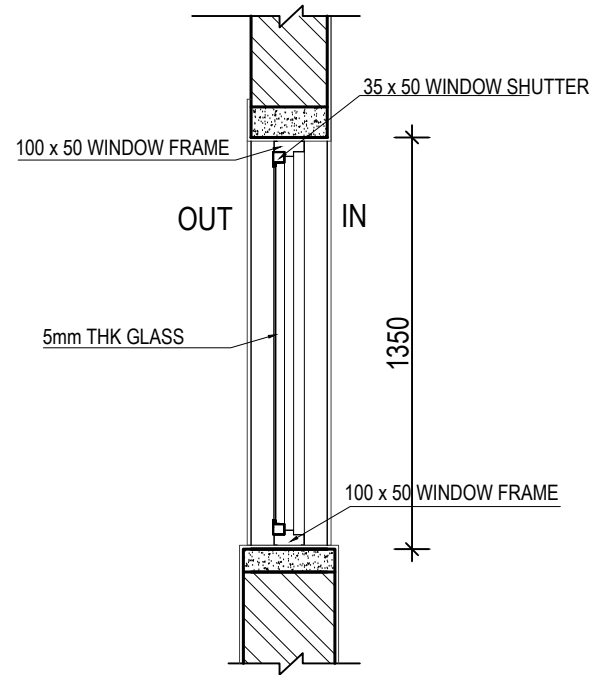
Date :	
Scale : 1:100	
	Designed by :
	Checked by :
	Approved by :

Sheet No:

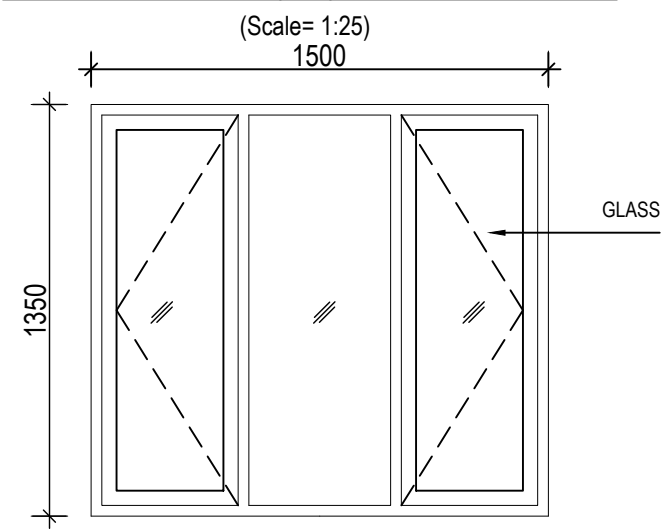
5



OUT
TYPICAL WINDOW(W1) SECTIONAL PLAN
(Scale= 1:25)



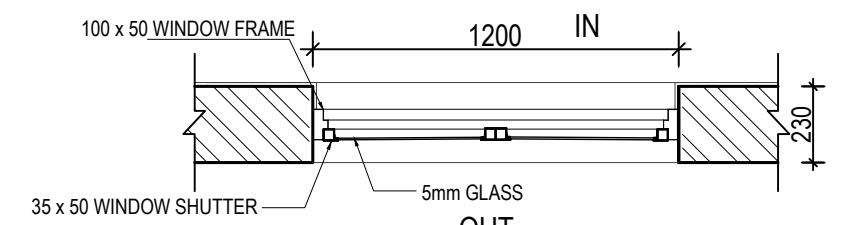
TYPICAL METAL WINDOW(W1) SECTION
(Scale= 1:25)



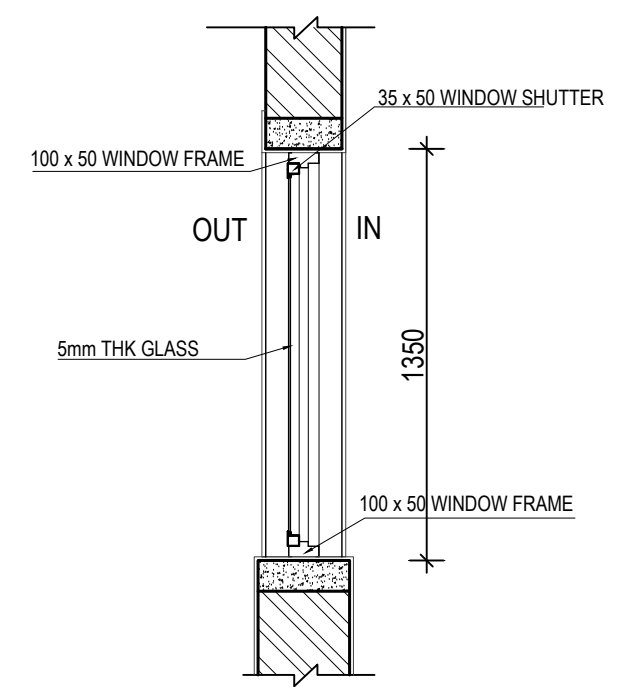
WINDOW-W1
(Scale= 1:25)

DOORS & WINDOWS SCHEDULE:

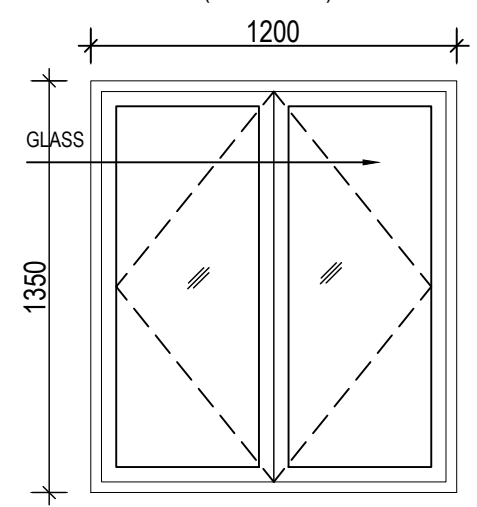
S.N.	SYMBOL	SIZES	G.F.	F.F.	S.F.	TOTAL
1.	W	1200 x 1350	6	6	-	12
2.	W1	1500 x 1350	4	4	-	8
3.	W2	1500 x 1100	1	1	-	2
4.	D	1100 x 2100	2	2	-	4
5.	D1	900 x 2100	2	2	1	5
TOTAL			15	15	1	31



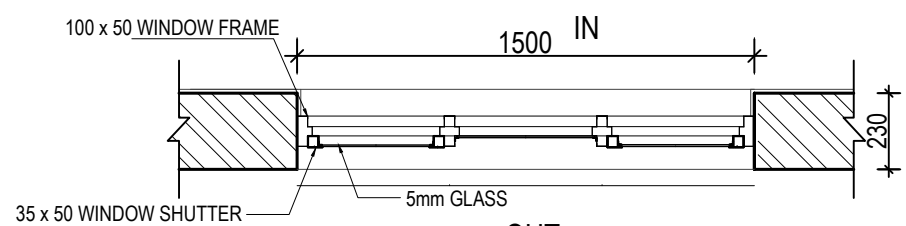
OUT
TYPICAL WINDOW(W) SECTIONAL PLAN
(Scale= 1:25)



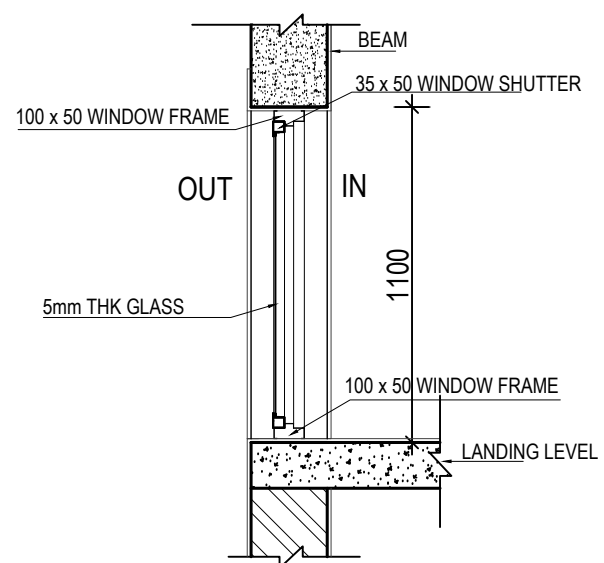
TYPICAL METAL WINDOW(W) SECTION
(Scale= 1:25)



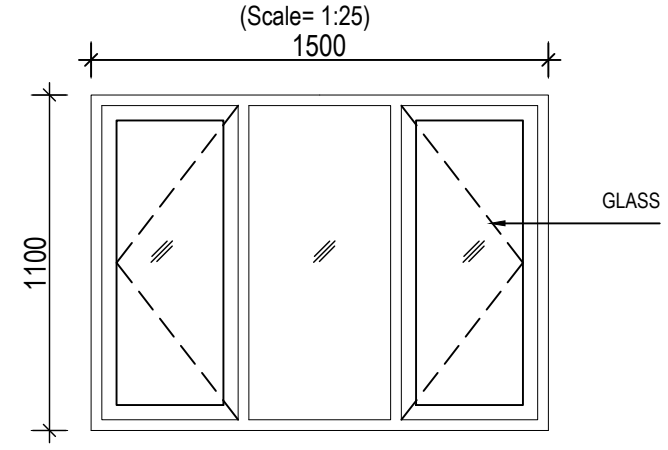
WINDOW-W
(Scale= 1:25)



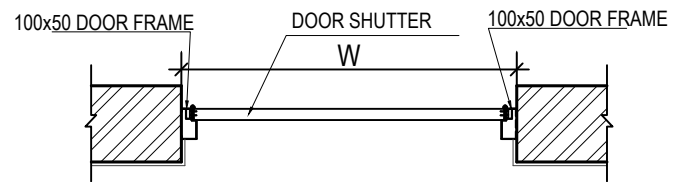
OUT
TYPICAL WINDOW(W2) SECTIONAL PLAN
(Scale= 1:25)



TYPICAL METAL WINDOW(W2) SECTION
(Scale= 1:25)

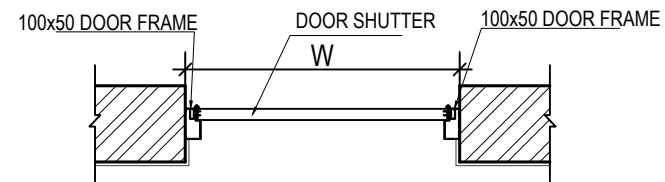


WINDOW-W2
(Scale= 1:25)



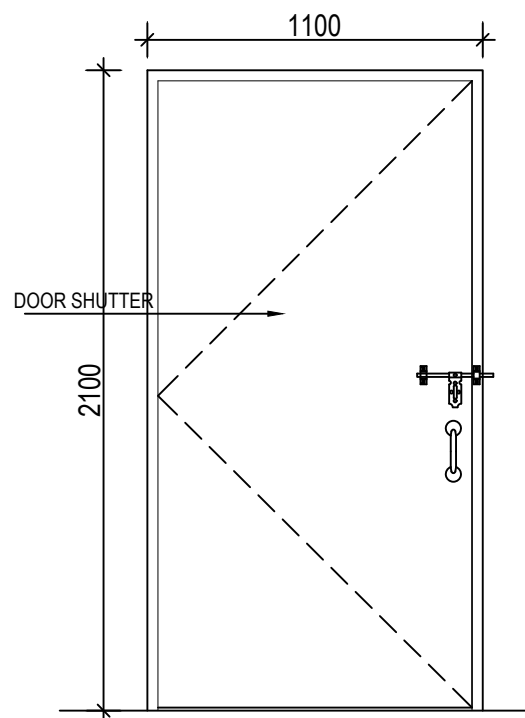
TYPICAL METAL DOOR SECTIONAL PLAN

(Scale= 1:25)



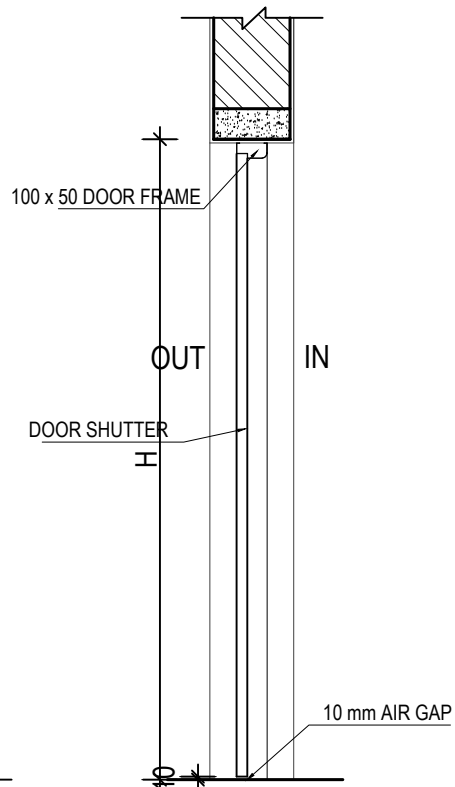
TYPICAL METAL DOOR SECTIONAL PLAN

(Scale= 1:25)



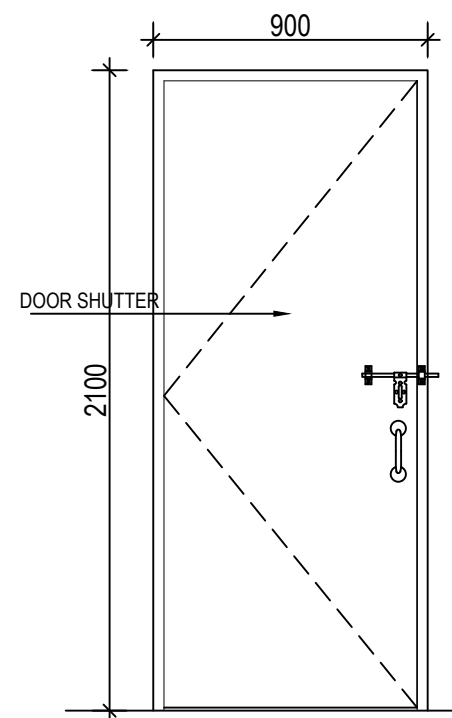
DOOR-D

(Scale= 1:25)



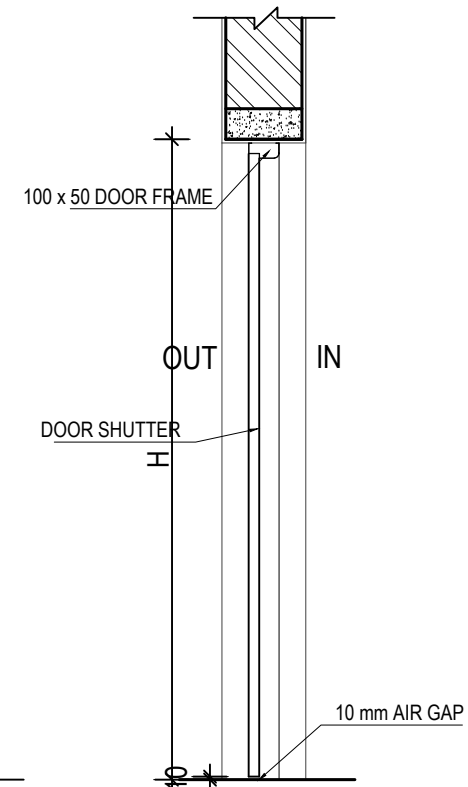
TYPICAL METAL DOOR SECTIONAL ELEVATION

(Scale= 1:25)



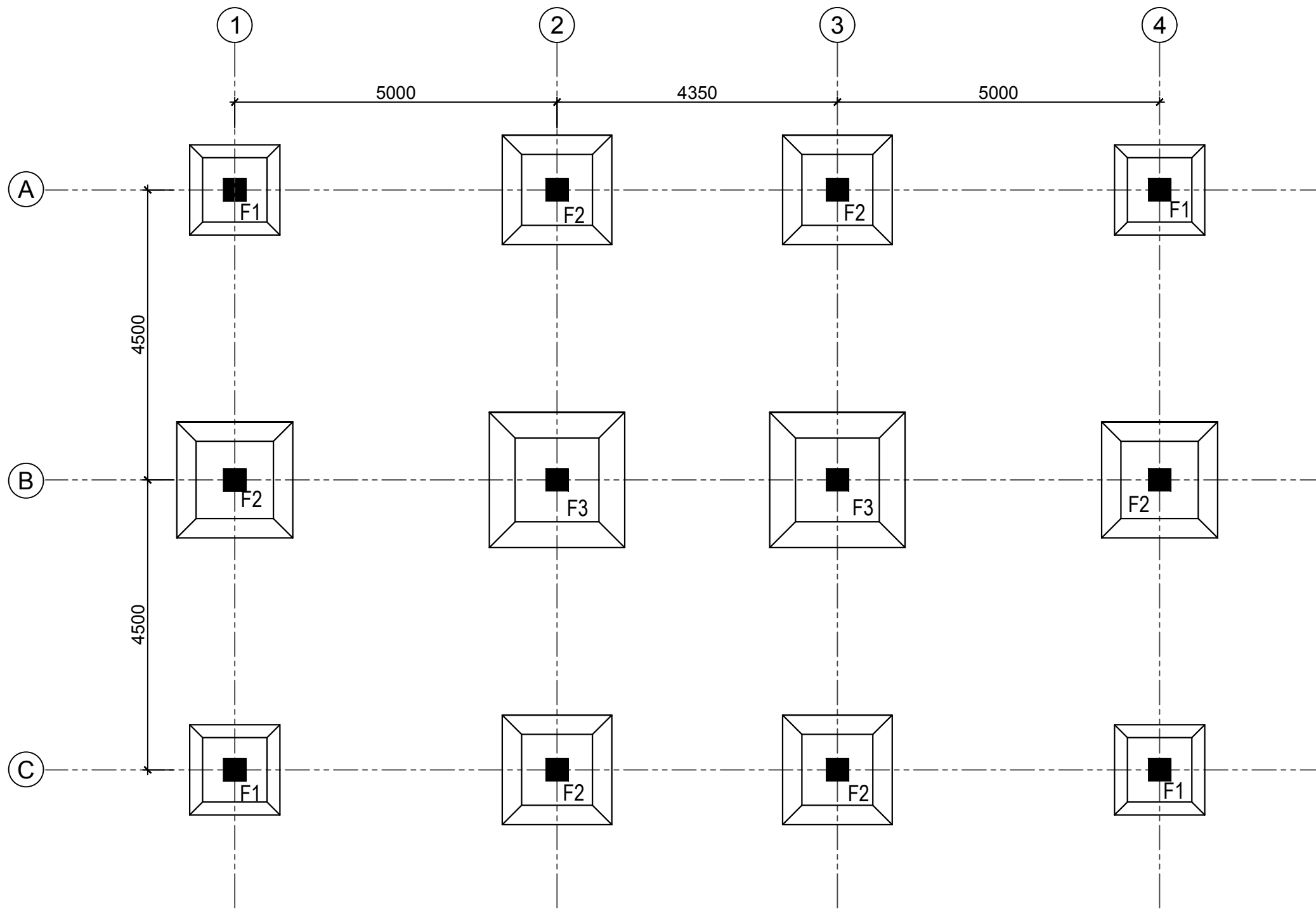
DOOR-D1

(Scale= 1:25)

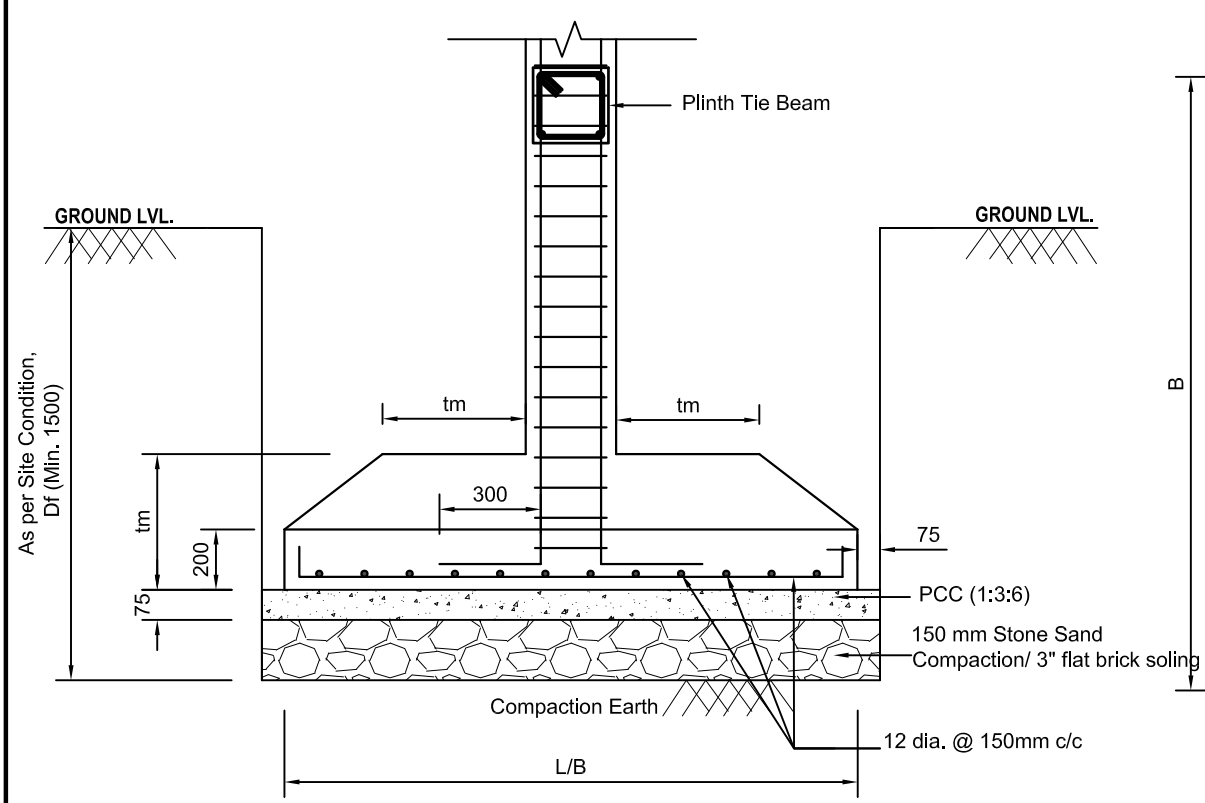


TYPICAL METAL DOOR SECTIONAL ELEVATION

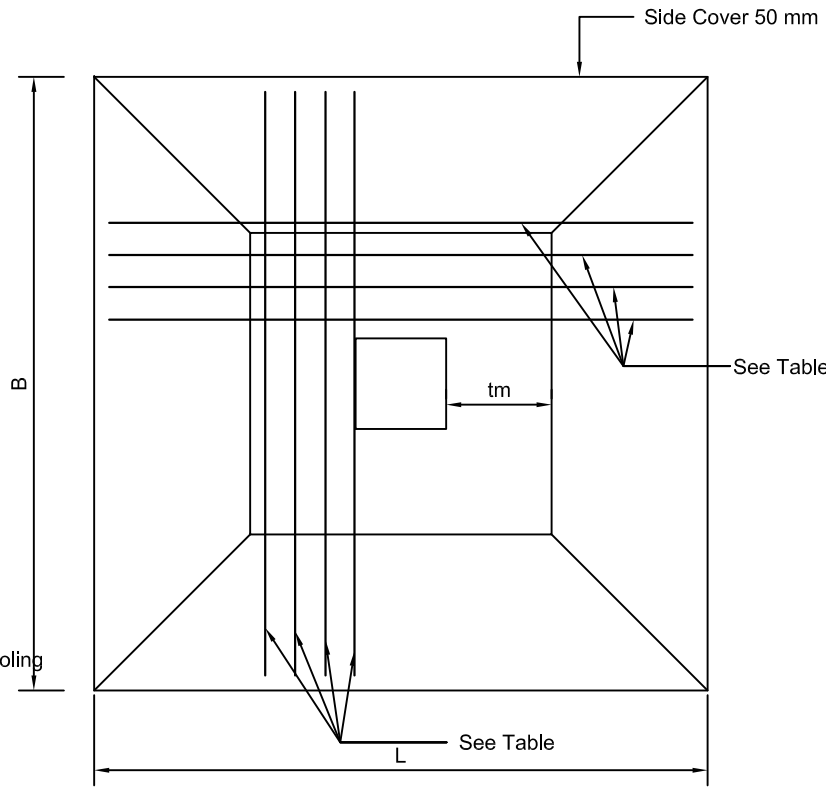
(Scale= 1:25)



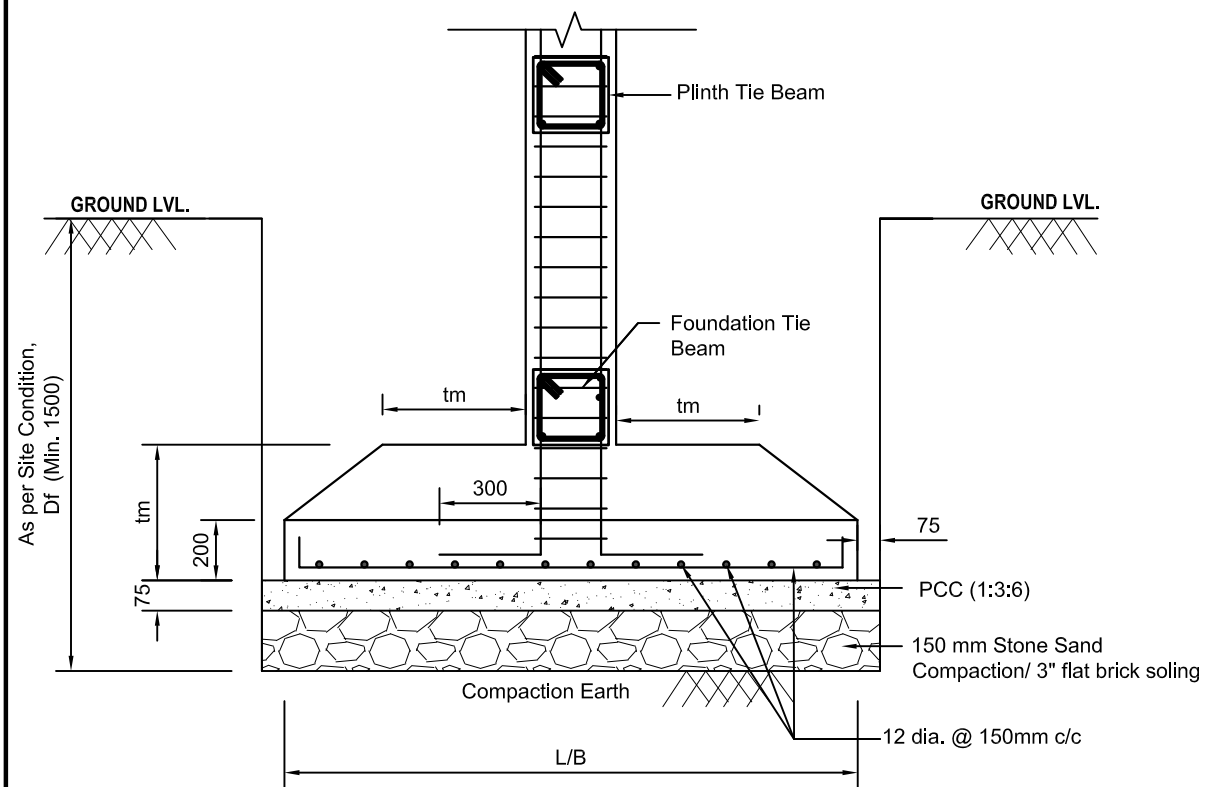
FOUNDATION PLAN



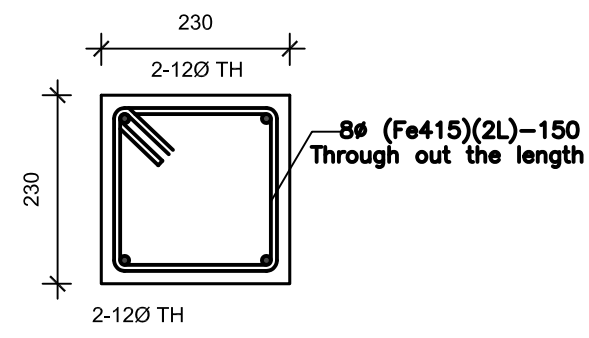
FOOTING SECTION WITH PLINTH BEAM
For Hard and Medium soil



FOOTING PLAN

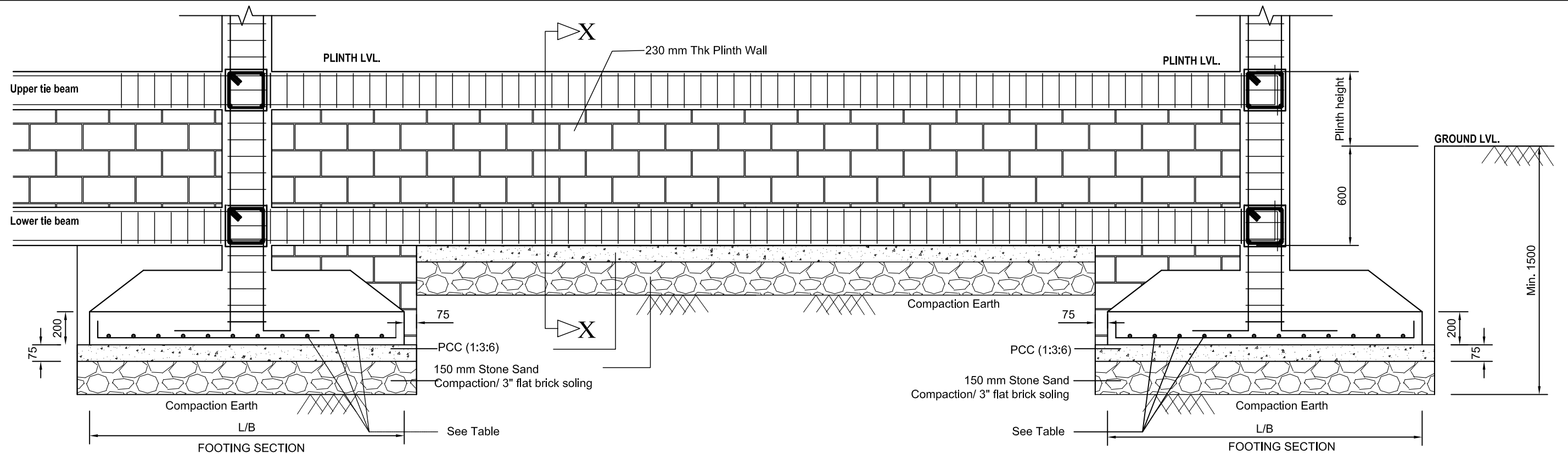


FOOTING SECTION WITH PLINTH BEAM AND FOUNDATION BEAM



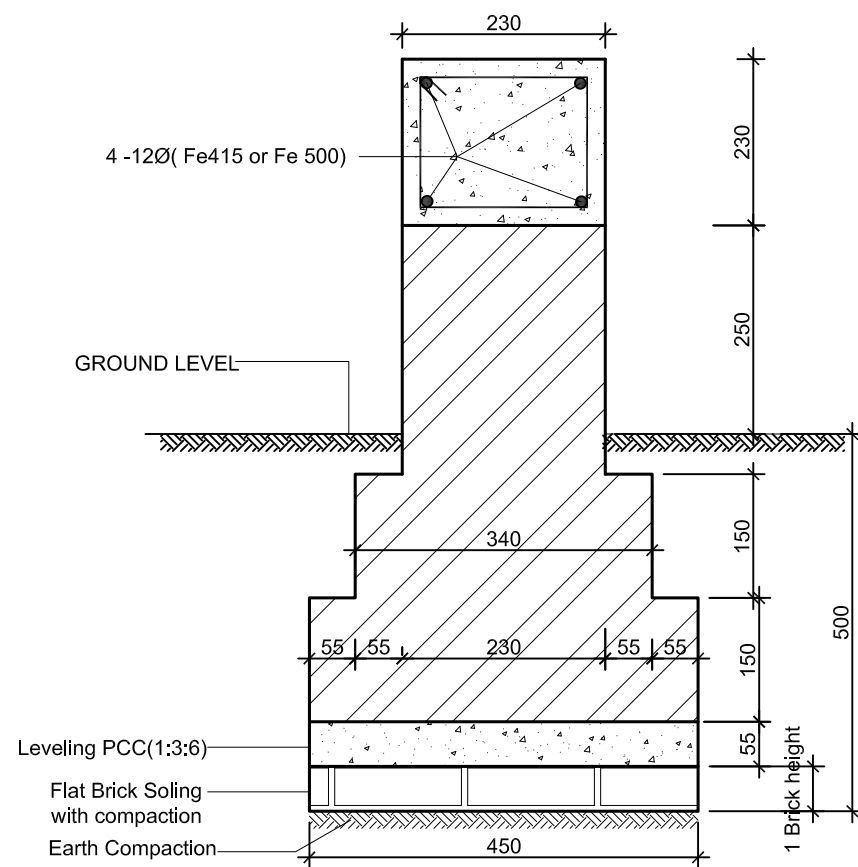
PLINTH AND FOUNDATION TIE BEAM

PAD FOUNDATION SIZE FOR WEAK SOIL (Safe bearing capacity = 50 KN/m ²)				
Column Type	Foundation Plan LXB (mm)	Max Thickness	Reinforcement and Spacing	Recommended Minimum foundation depth, Df(mm)
Corner (F1)	2000X2000	300	12 dia@150mm c/c	1500
Face(F2)	2800X2800	400	12 dia@150mm c/c	1500
Inner(F3)	3300X3300	475	12 dia@150mm c/c	1500
PAD FOUNDATION SIZE FOR SOFT SOIL (Safe bearing capacity = 100 KN/m ²)				
Column Type	Foundation Plan LXB (mm)	Max Thickness	Reinforcement and Spacing	Recommended Minimum foundation depth, Df(mm)
Corner (F1)	1500X1500	275	12 dia@150mm c/c	1500
Face(F2)	2000X2000	375	12 dia@150mm c/c	1500
Inner(F3)	2325X2325	450	12 dia@150mm c/c	1500
PAD FOUNDATION SIZE FOR MEDIUM SOIL (Safe bearing capacity = 150 KN/m ²)				
Column Type	Foundation Plan LXB (mm)	Max Thickness	Reinforcement and Spacing	Recommended Minimum foundation depth, Df(mm)
Corner (F1)	1200X1200	250	12 dia@150mm c/c	1500
Face(F2)	1600X1600	375	12 dia@150mm c/c	1500
Inner(F3)	1900X1900	425	12 dia@150mm c/c	1500
PAD FOUNDATION SIZE FOR HARD SOIL (Safe bearing capacity = 200 KN/m ²)				
Column Type	Foundation Plan LXB (mm)	Max Thickness	Reinforcement and Spacing	Recommended Minimum foundation depth, Df(mm)
Corner (F1)	1000X1000	250	12 dia@150mm c/c	1500
Face(F2)	1400X1400	350	12 dia@150mm c/c	1500
Inner(F3)	1700X1700	425	12 dia@150mm c/c	1500

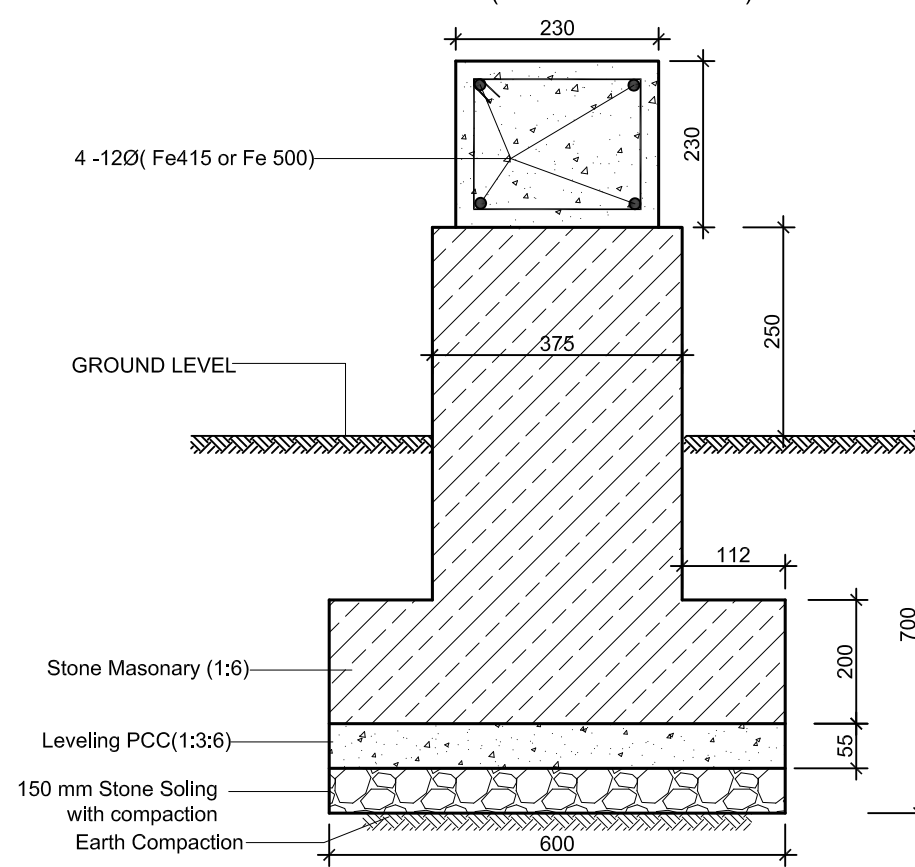


ELEVATION SHOWING FOOTING , LOWER TIE BEAM , UPPER TIE BEAM AND PLINTH WALL

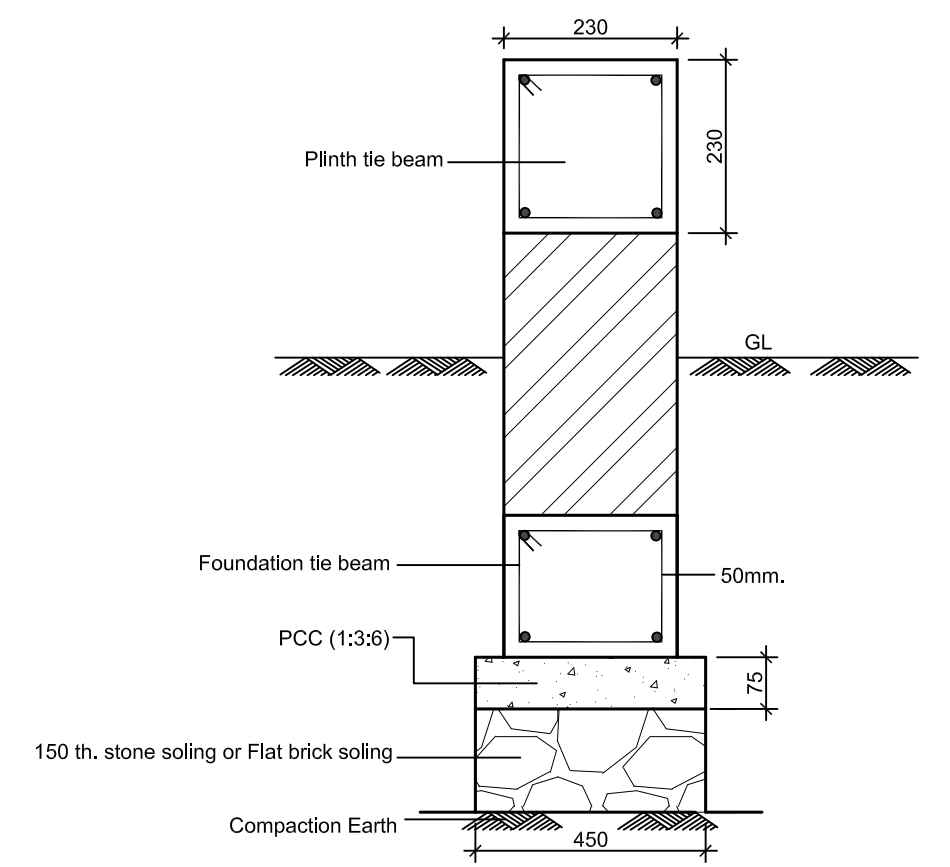
(For soft and weak soil)



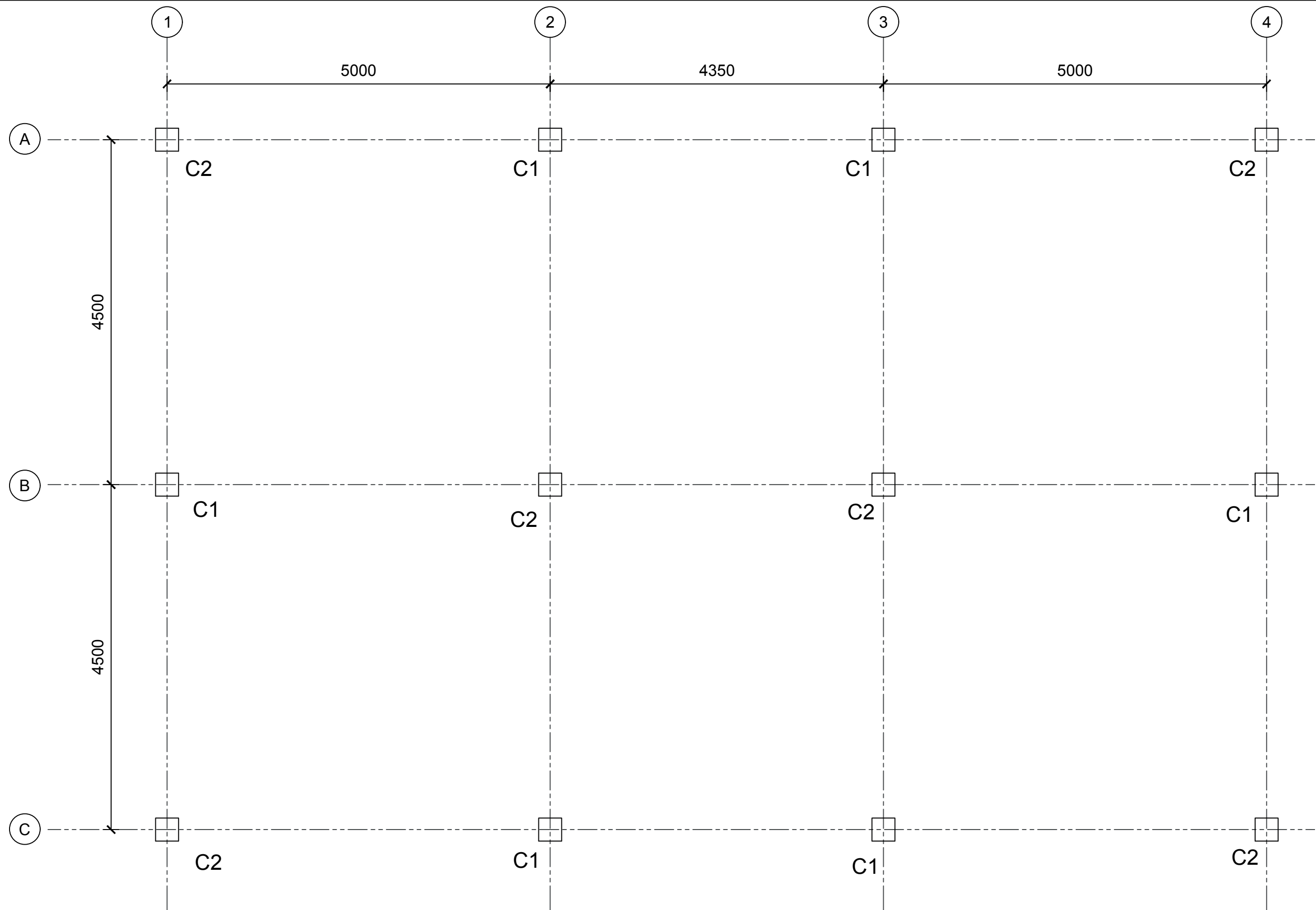
BRICK MASONRY TOE WALL



STONE MASONRY TOE WALL

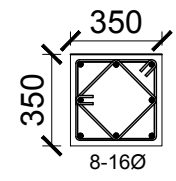
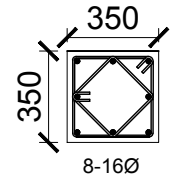
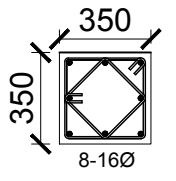
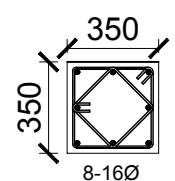
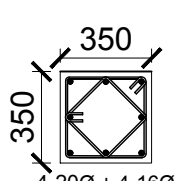


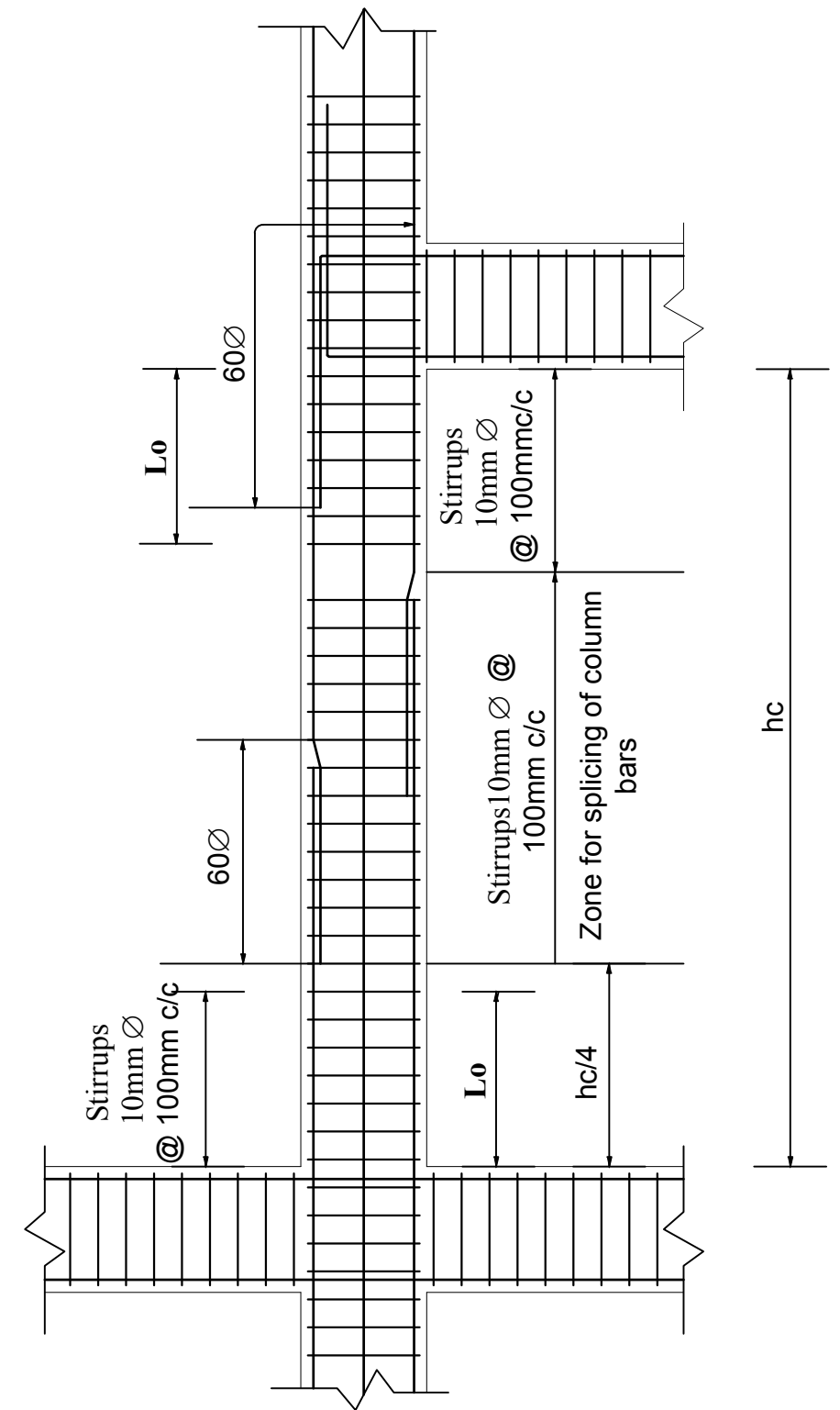
SECTION AT X-X



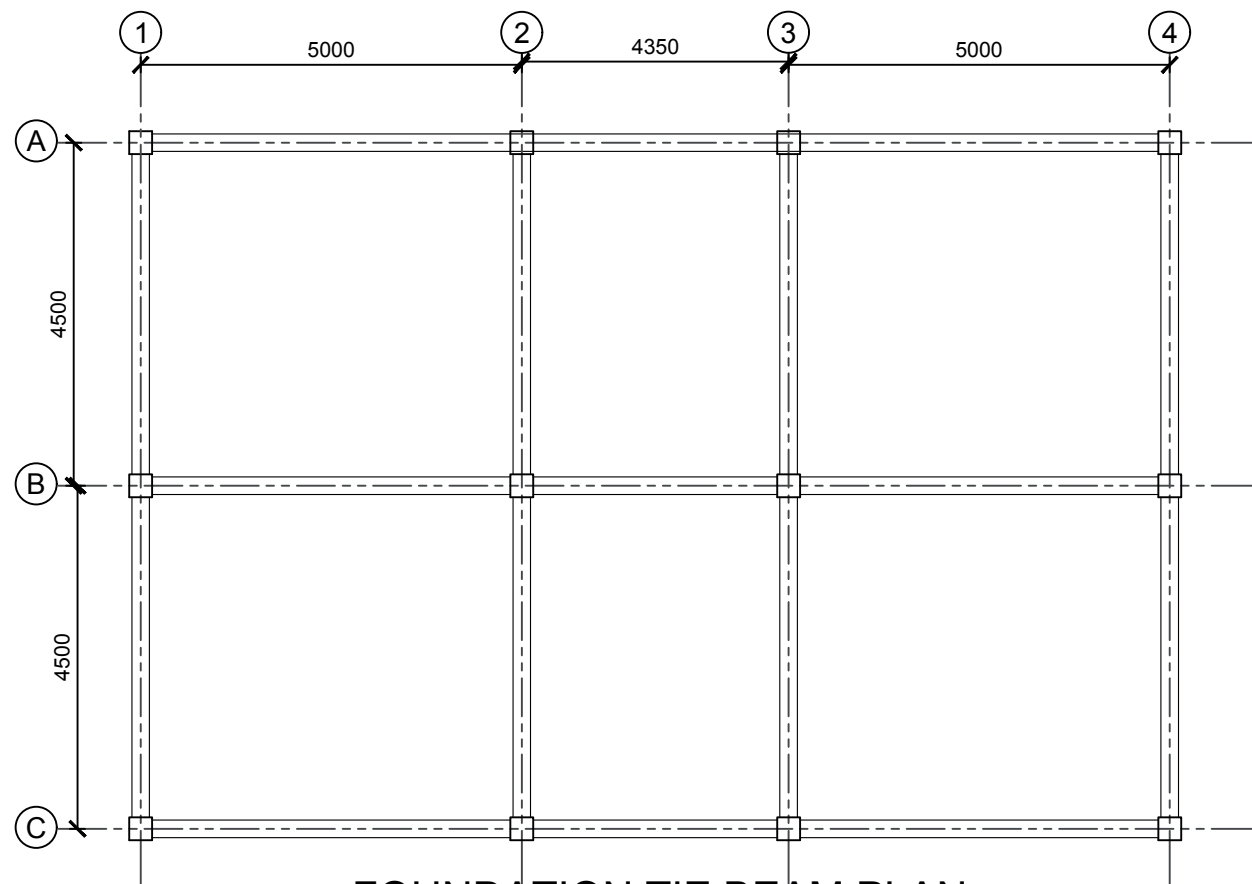
COLUMN PLAN

COLUMN SIZE AND REINFORCEMENT

Floor	Column C1	Column C2	Stirrups		Grade
			T & B (H/4)	Mid (H/2)	
Pent House			8Ø @ 100mm c/c	8Ø @ 150mm c/c	M 20
Second Storey			8Ø @ 100mm c/c	8Ø @ 150mm c/c	M 20
First Storey			8Ø @ 100mm c/c	8Ø @ 150mm c/c	M 20

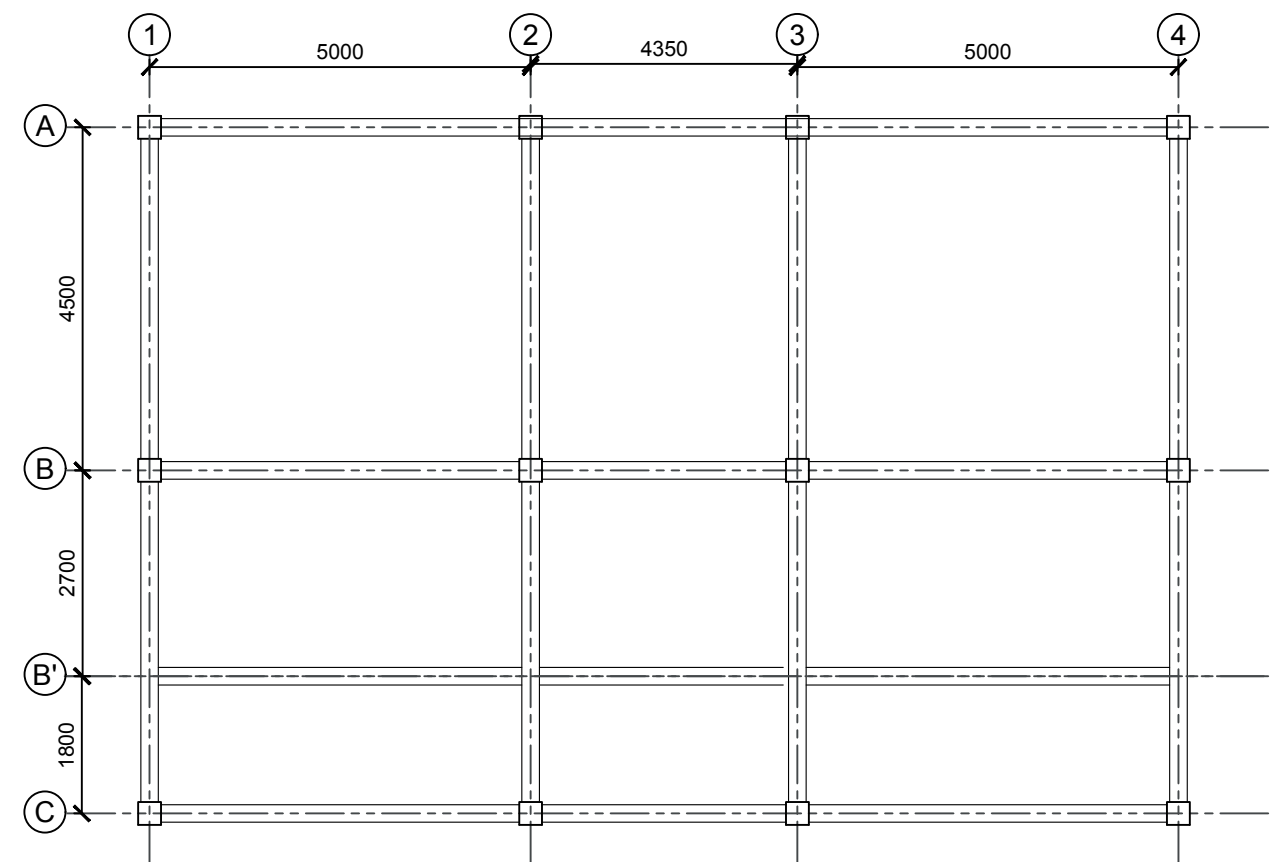


L-SECTION OF COLUMN WITH LAPPING

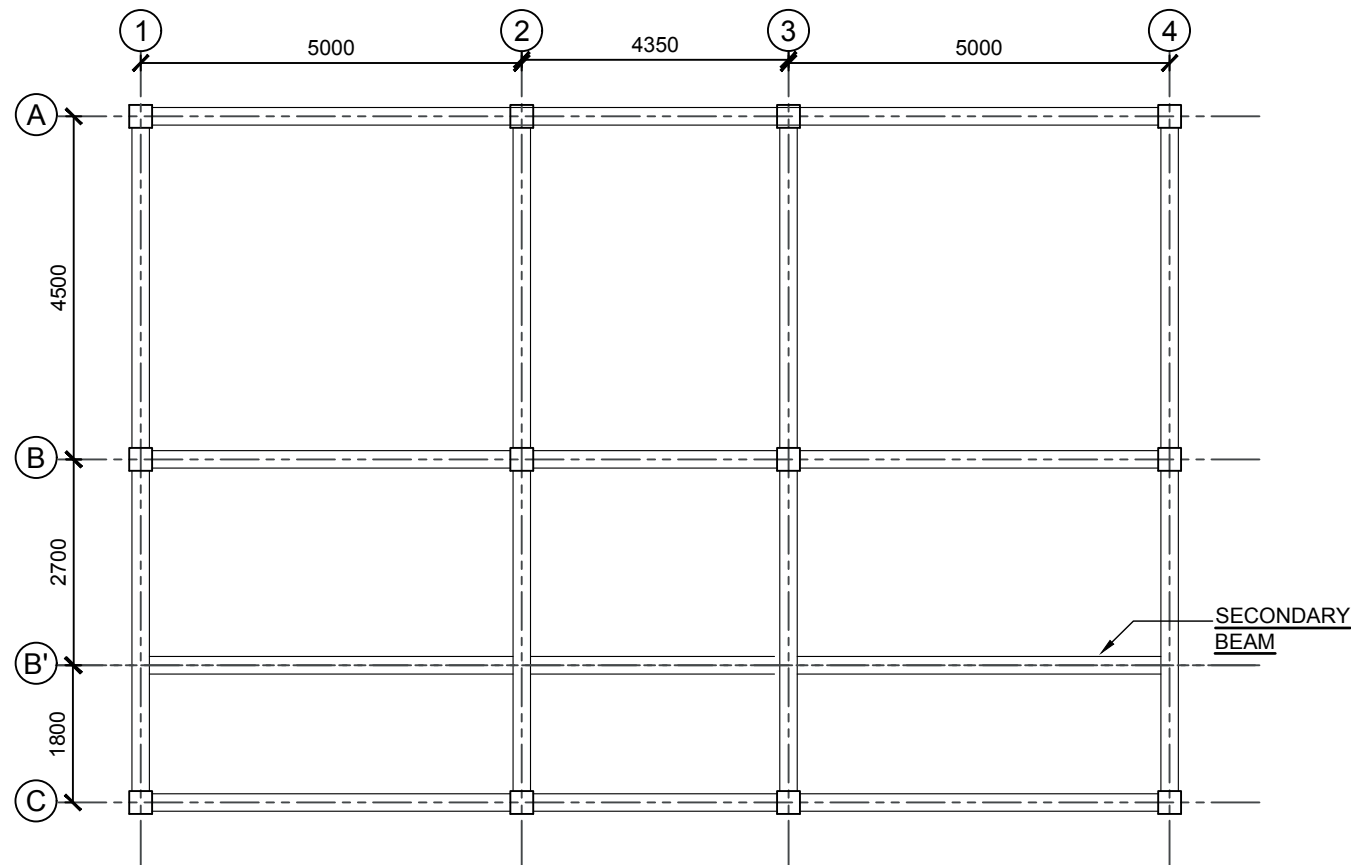


FOUNDATION TIE BEAM PLAN

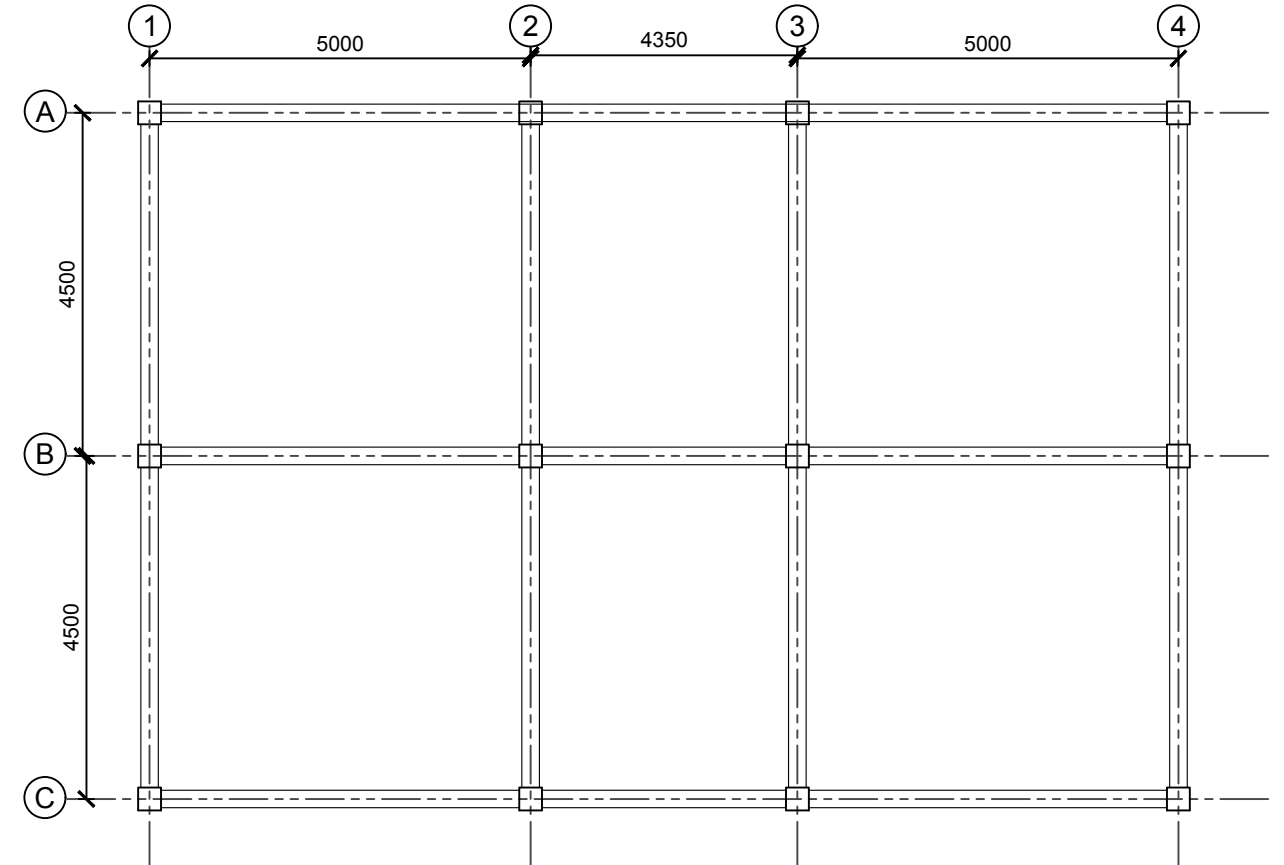
(Beam size 230x230)



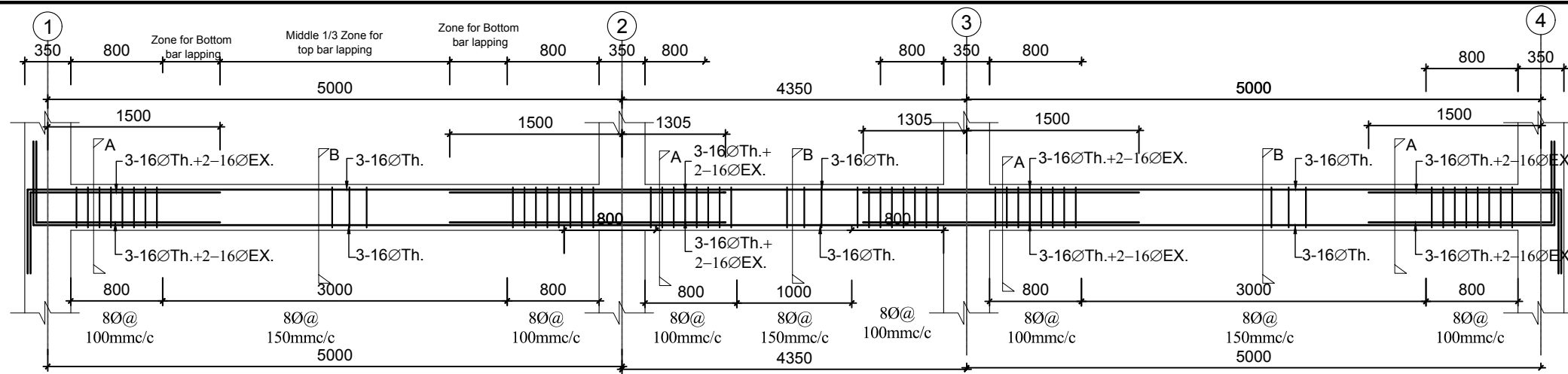
PLINTH BEAM PLAN



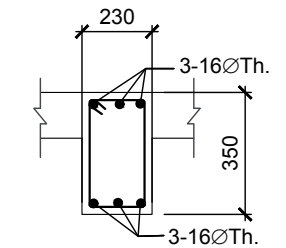
BEAM PLAN(First Floor)



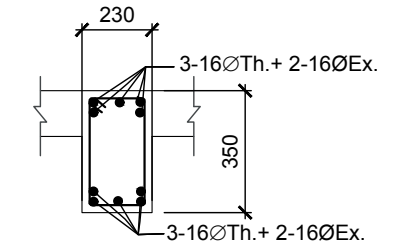
BEAM PLAN(Second Floor)



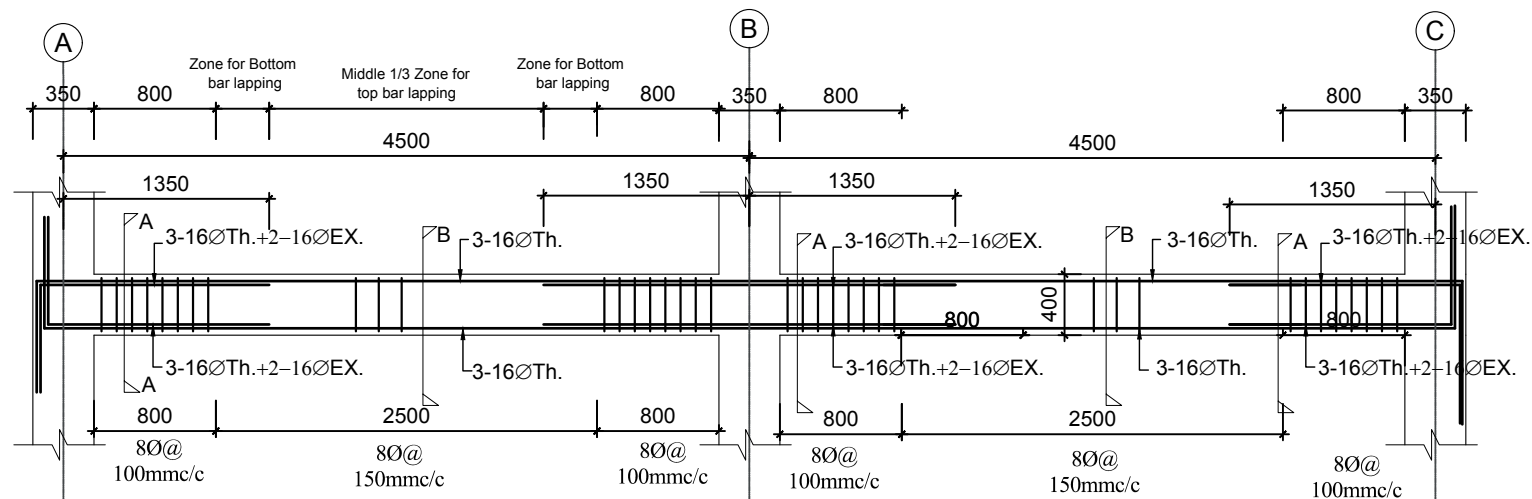
**L-Section of beam along grid A,B,C
(FIRST FLOOR - BEAM)**



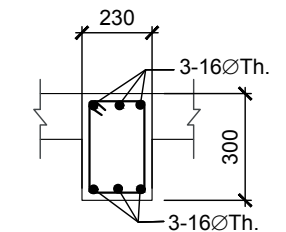
Section at B-B



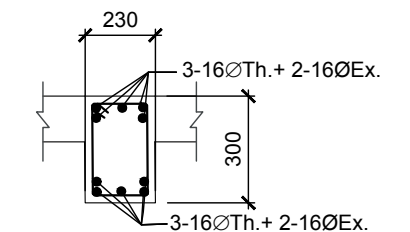
Section at A-A



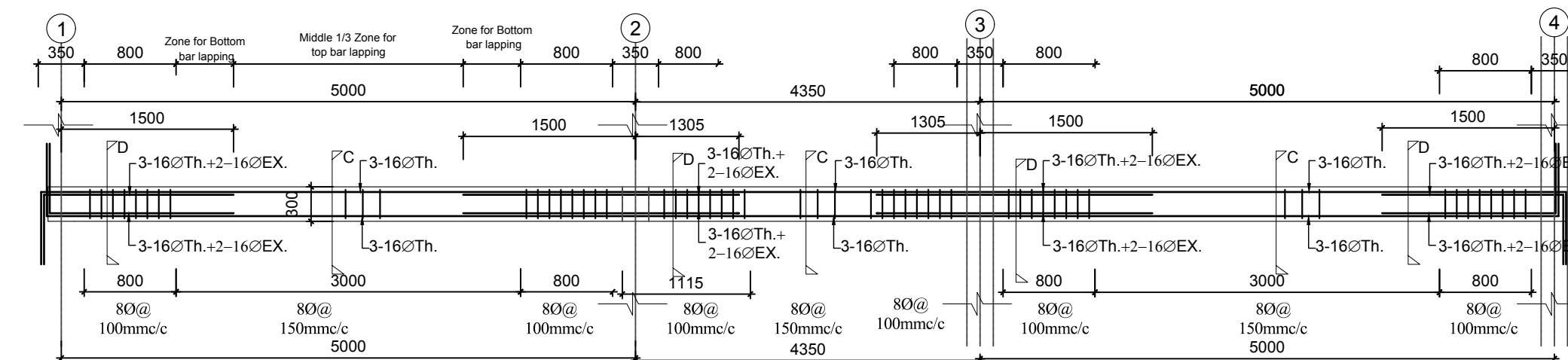
**L-Section of beam along grid 1,2,3,4
(FIRST FLOOR - BEAM)**



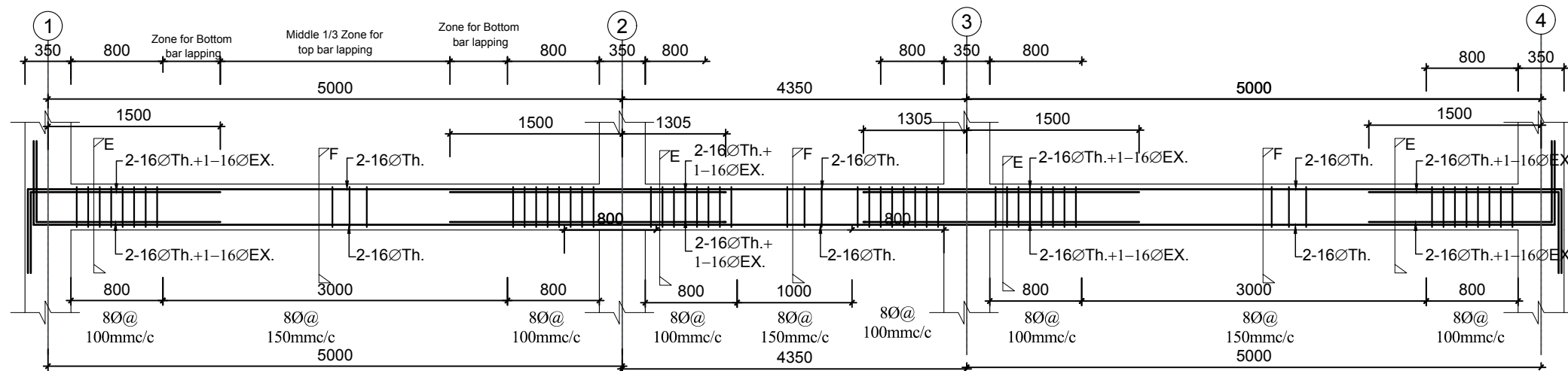
Section at C-C



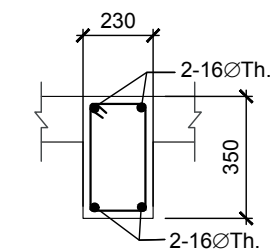
Section at D-D



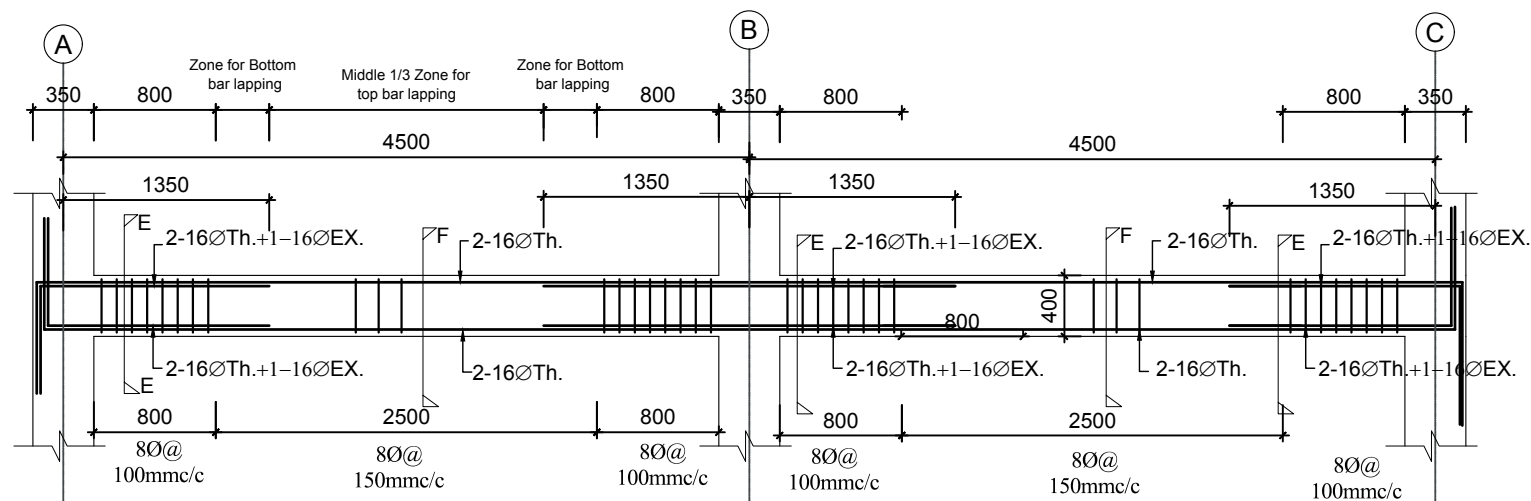
**L-Section of beam along grid B'
(SECONDARY BEAM)**



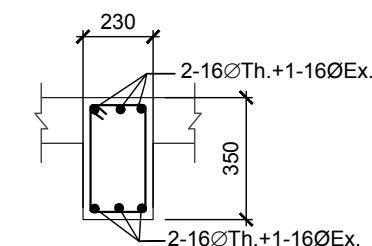
**L-Section of beam along grid A,B,C
(SECOND FLOOR - BEAM)**



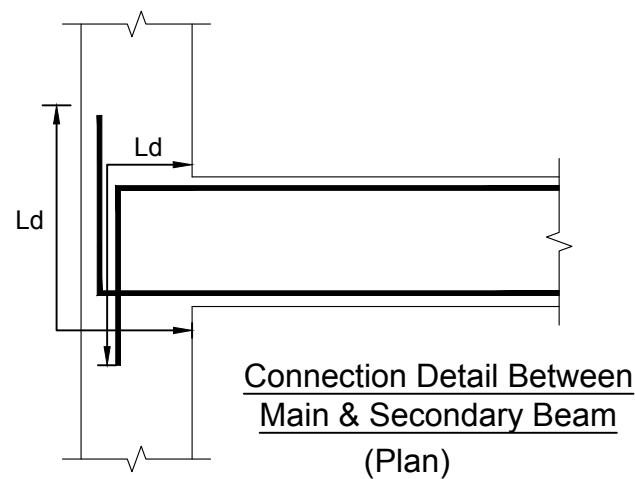
Section at F-F



**L-Section of beam along grid 1,2,3,4
(SECOND FLOOR - BEAM)**

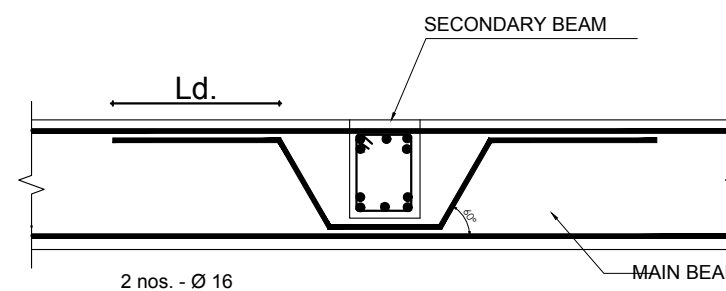


Section at E-E



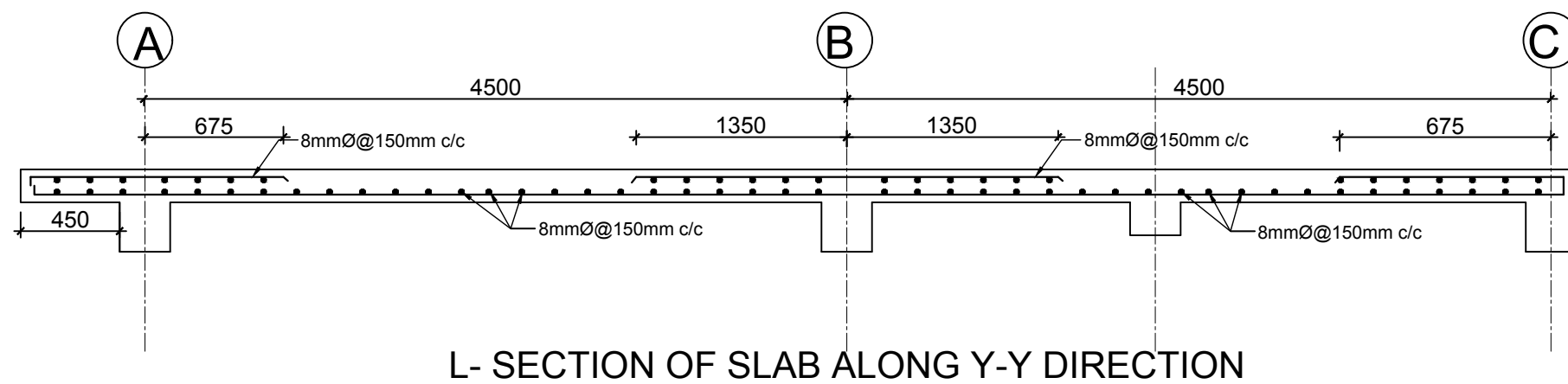
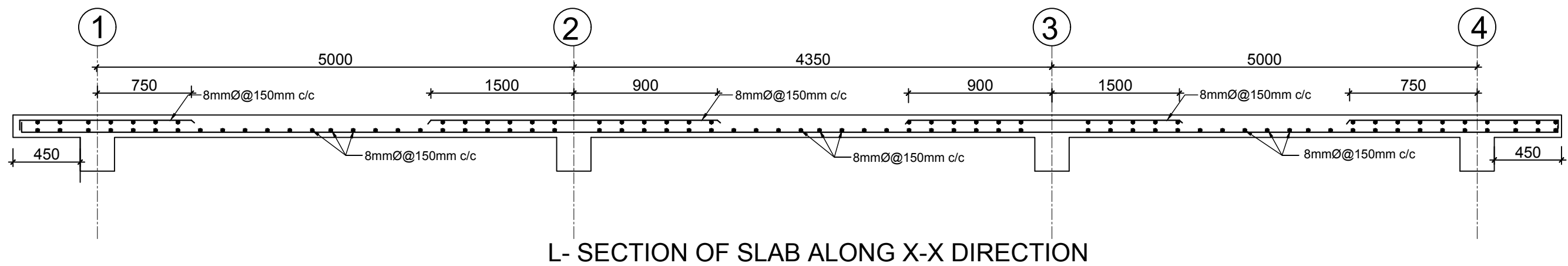
**Connection Detail Between
Main & Secondary Beam**

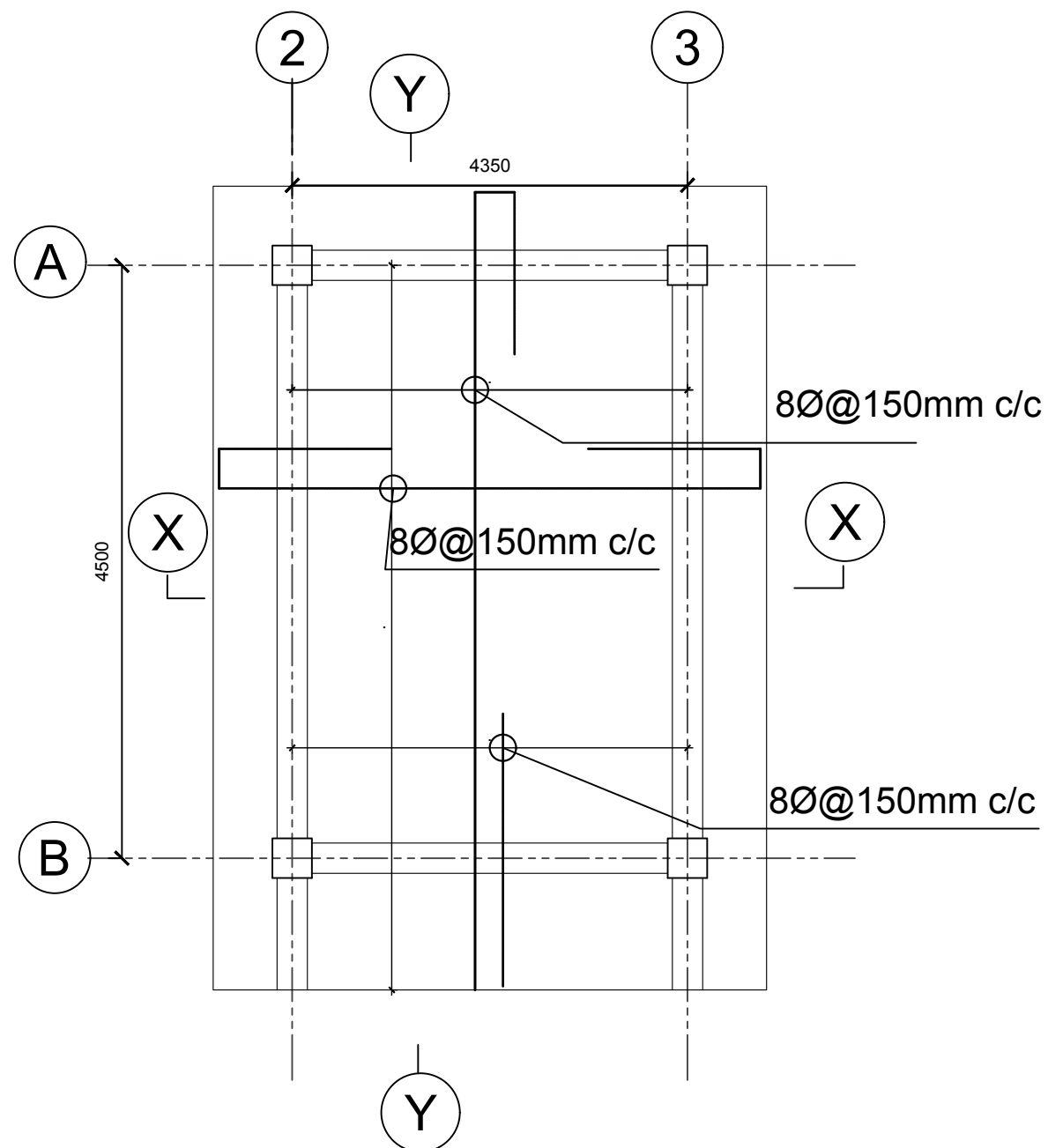
(Plan)



Connection Detail Between Main & Secondary Beam

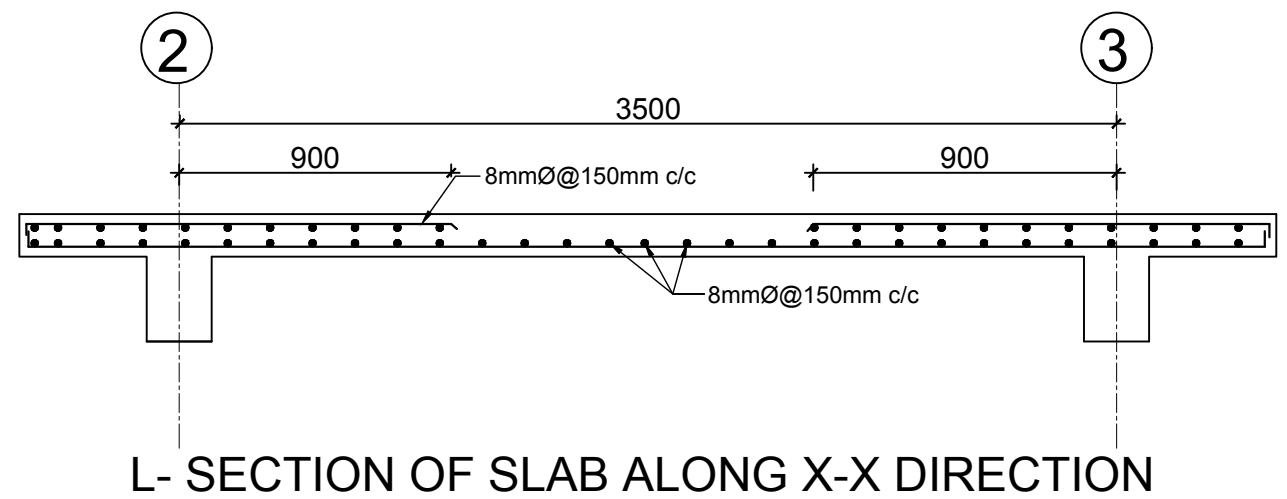
(Section)



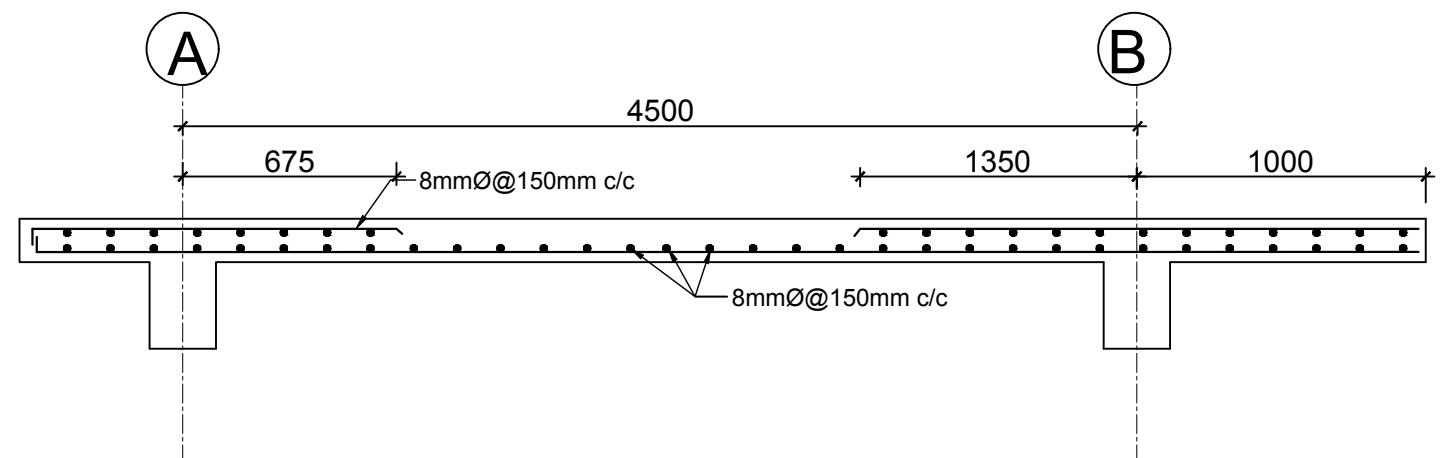


SLAB PLAN FOR STAIRCASE ROOF

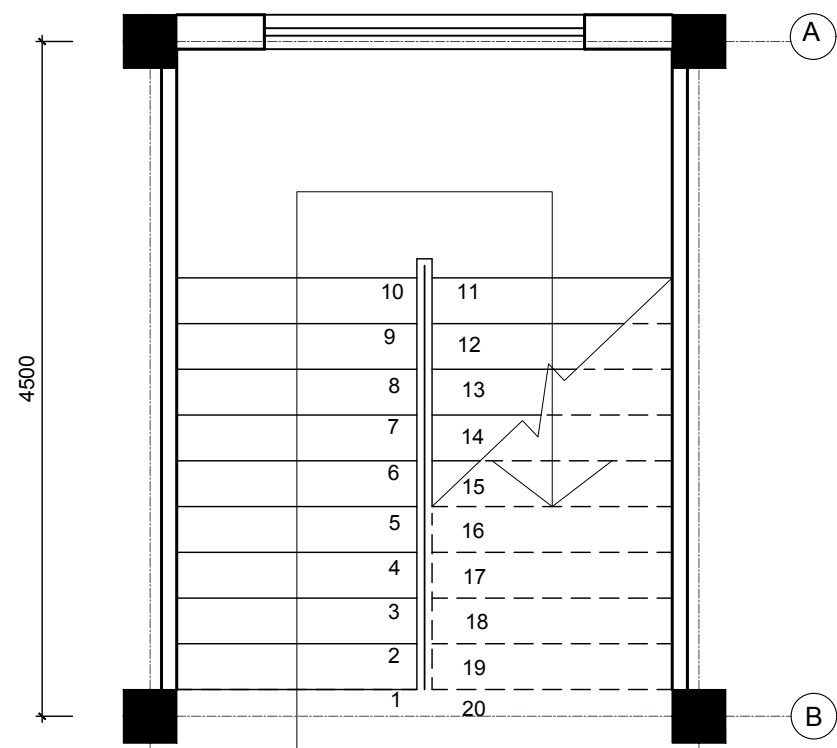
SLAB THICKNESS= 125mm



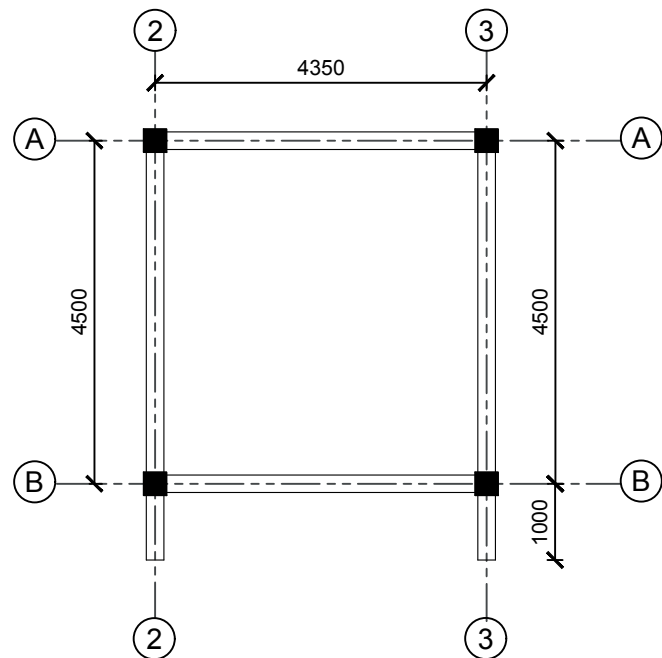
L- SECTION OF SLAB ALONG X-X DIRECTION



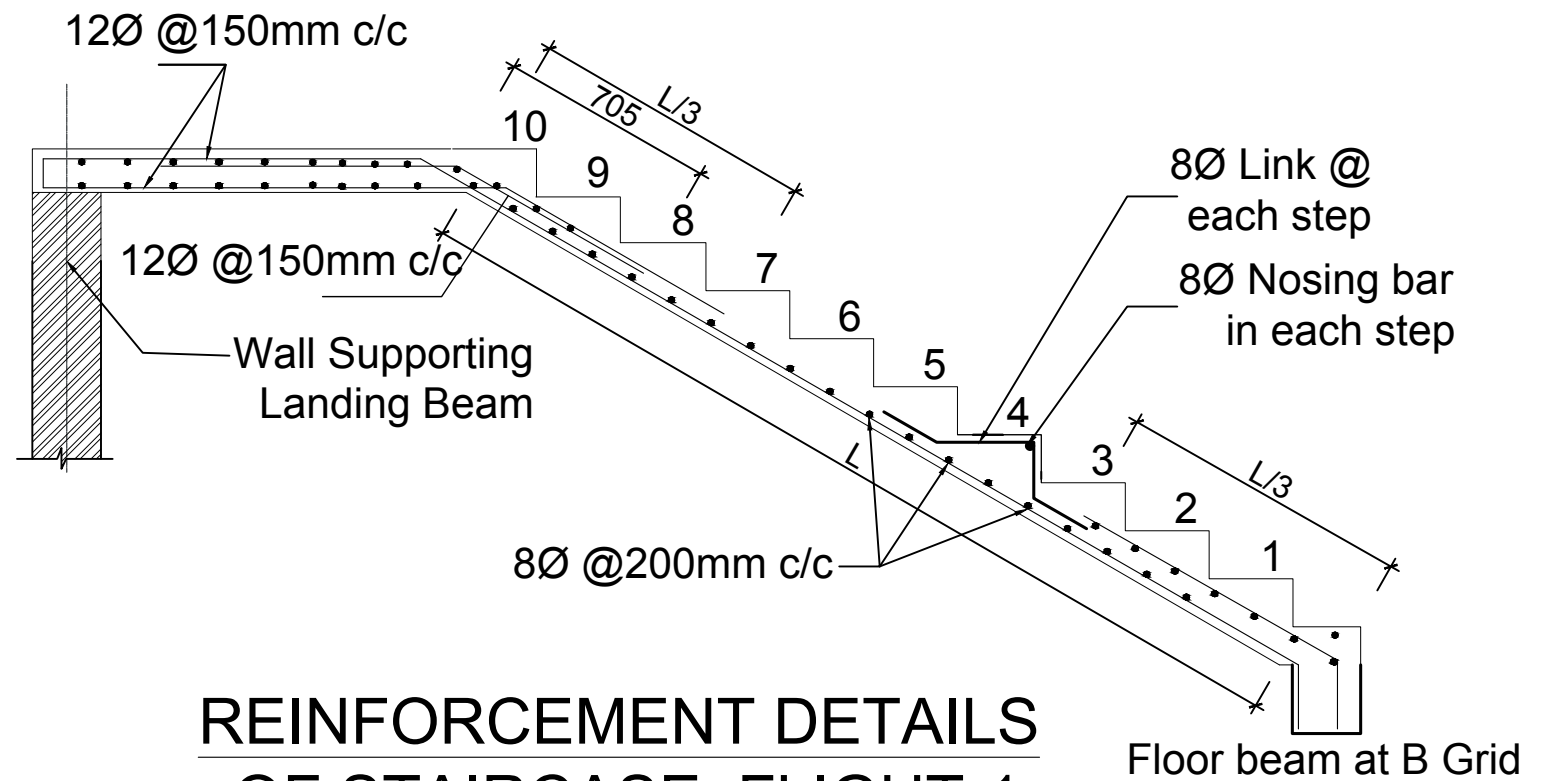
L- SECTION OF SLAB ALONG Y-Y DIRECTION



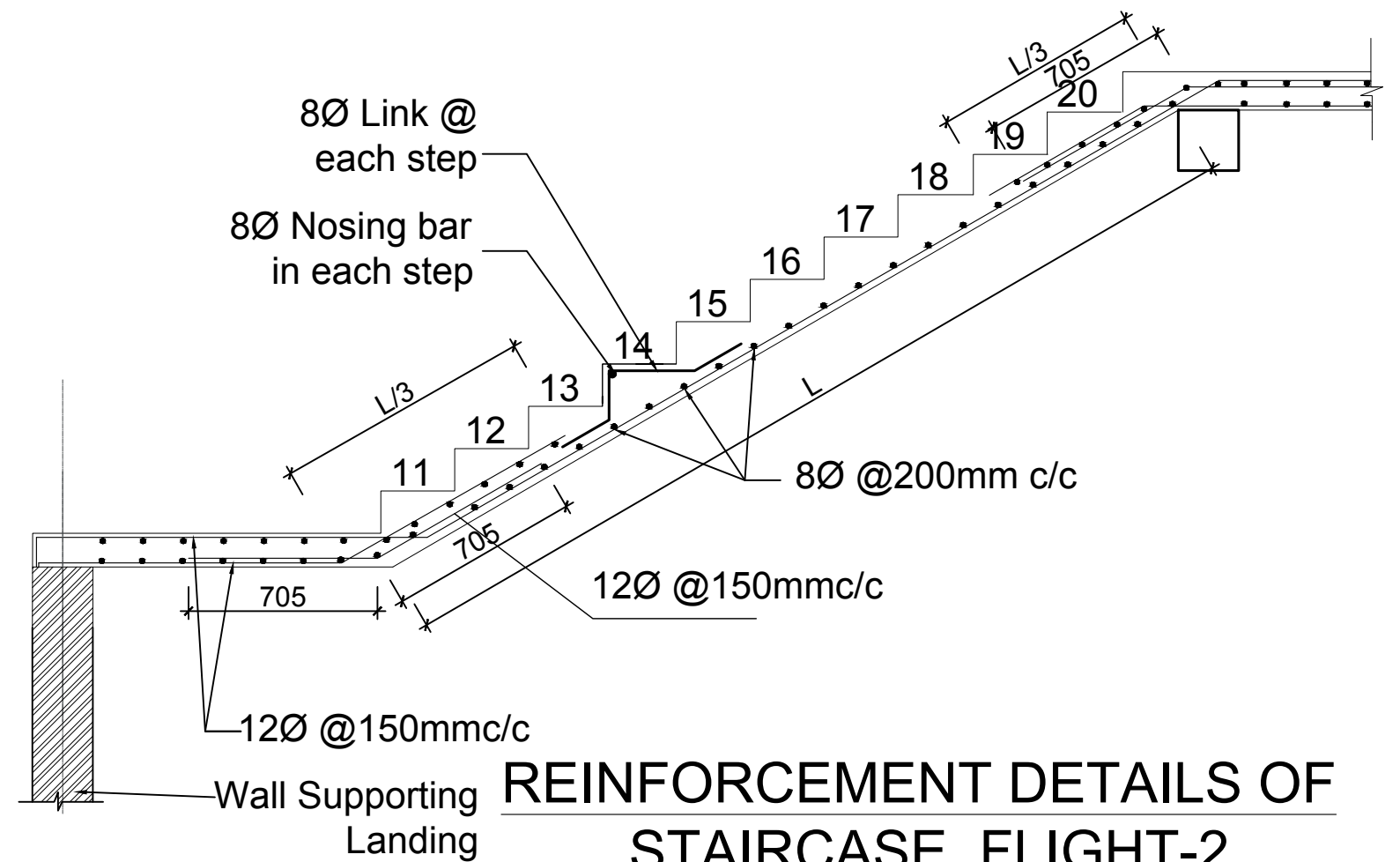
UP
 Thickness Of Waist Slab = 150mm
 Tread = 300 mm
 Riser = 150mm
STAIRCASE PLAN
 (SCALE - 1:50)



BEAM LAYOUT PLAN
 (Staircase Roof Level)
 (SCALE - 1:100)

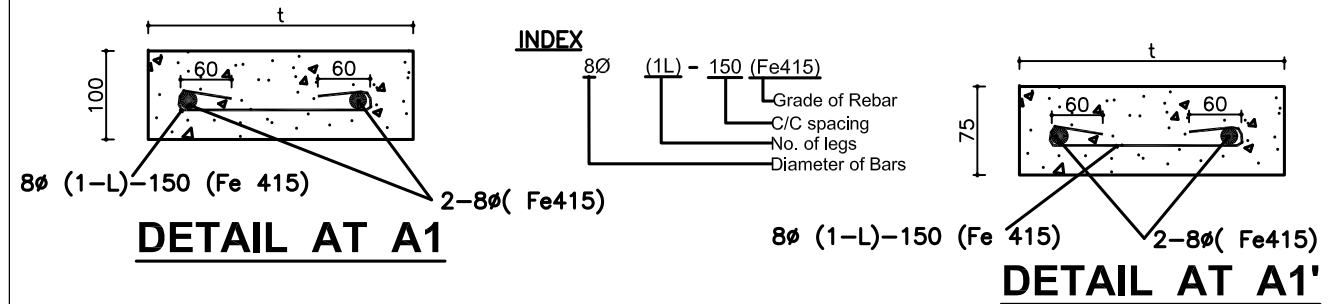
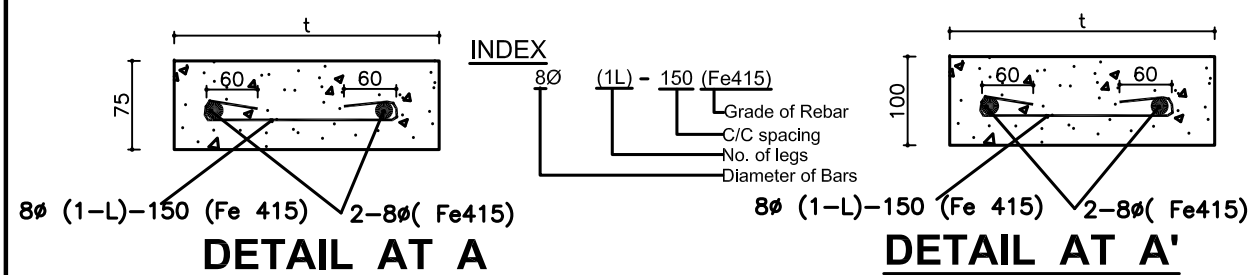
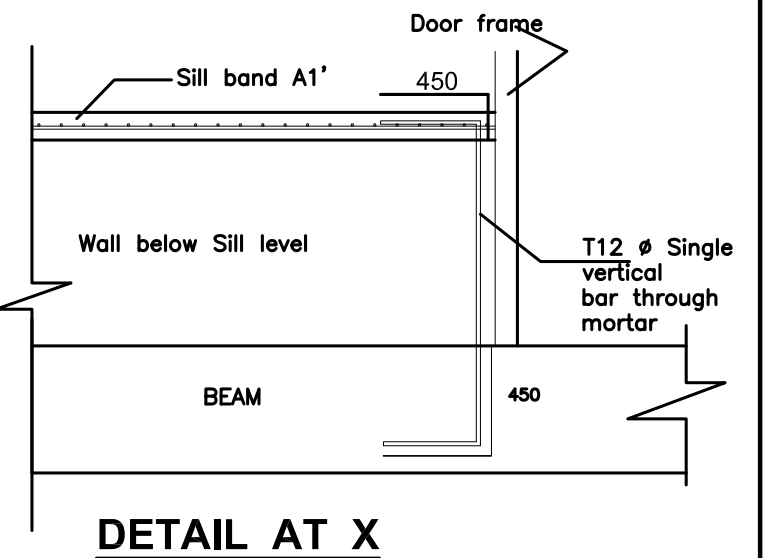
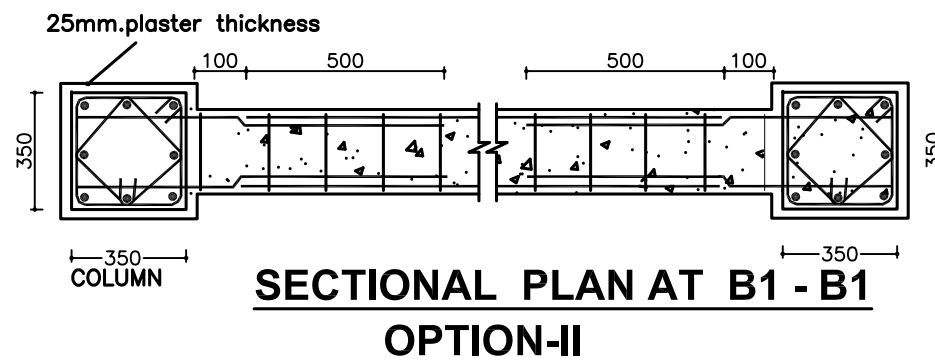
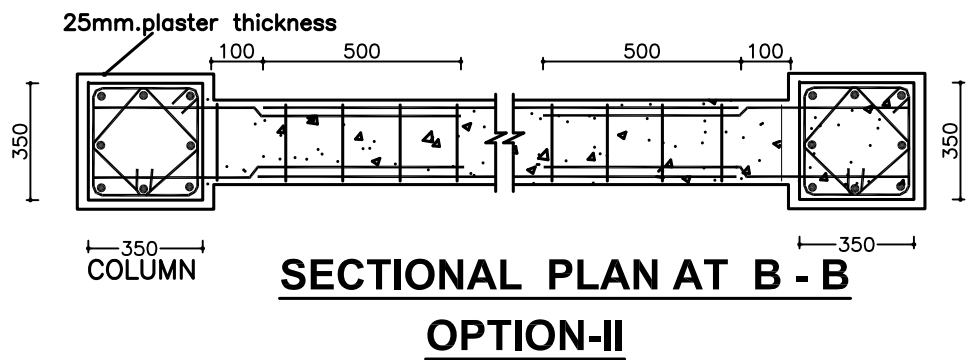
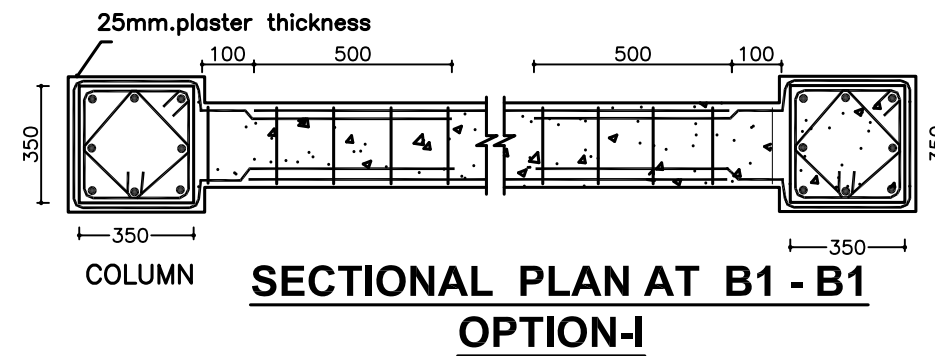
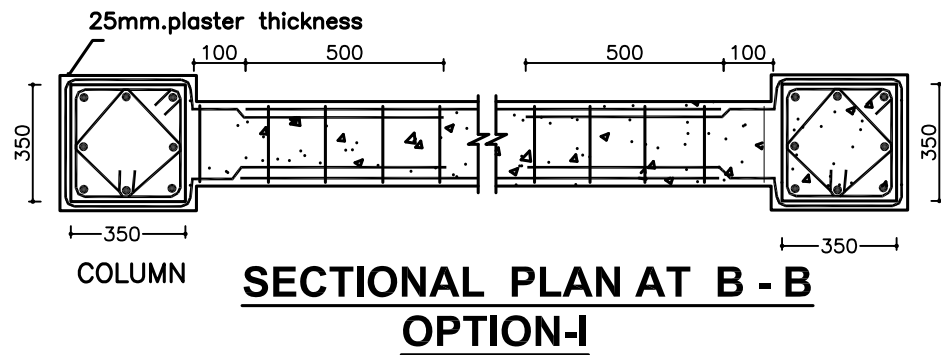
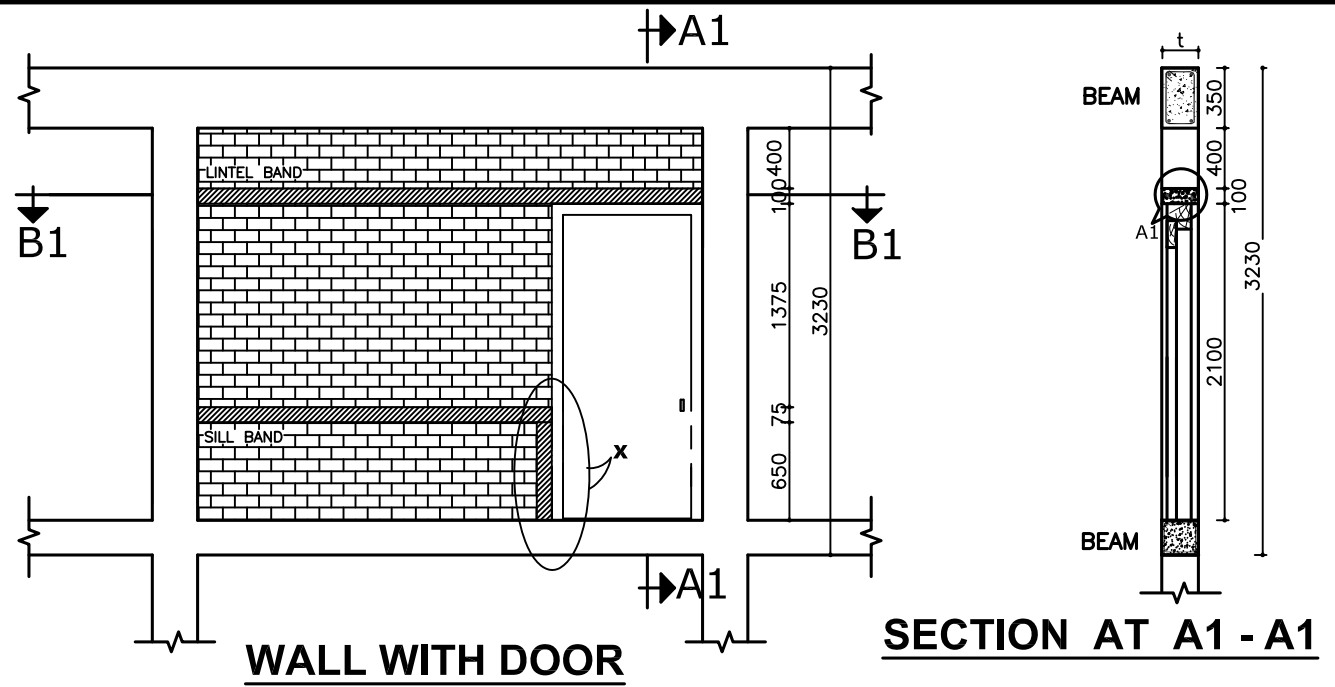
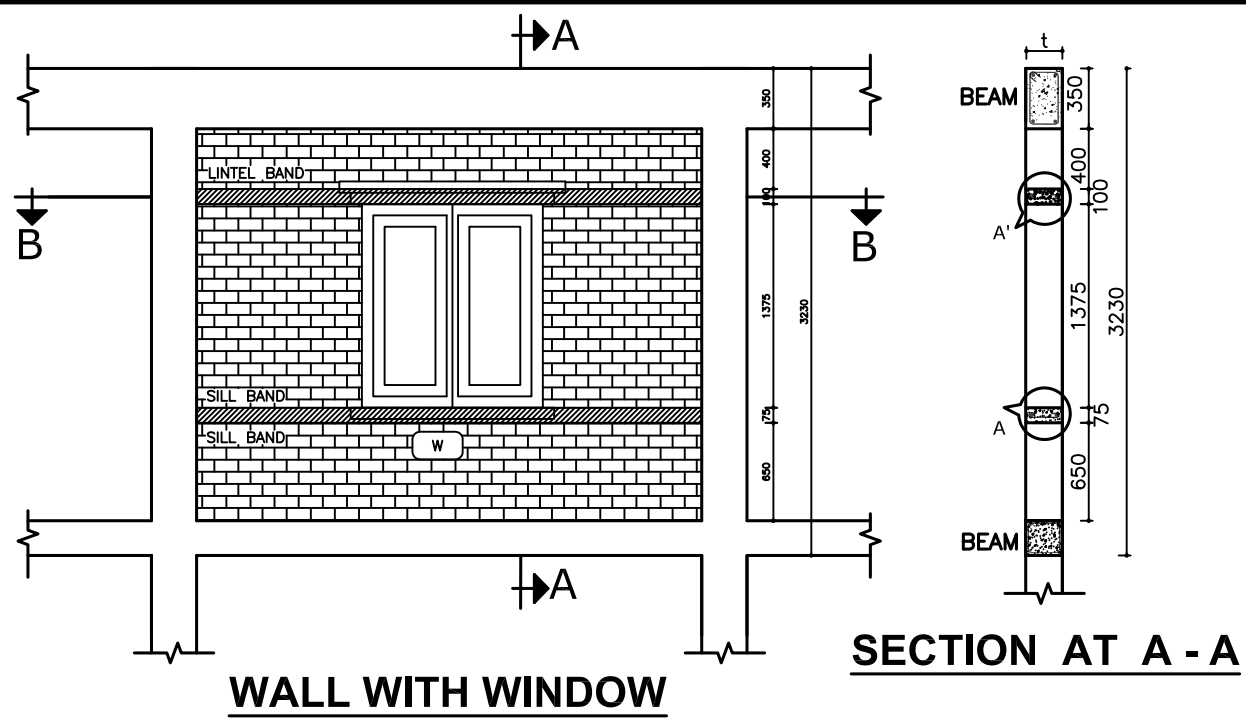


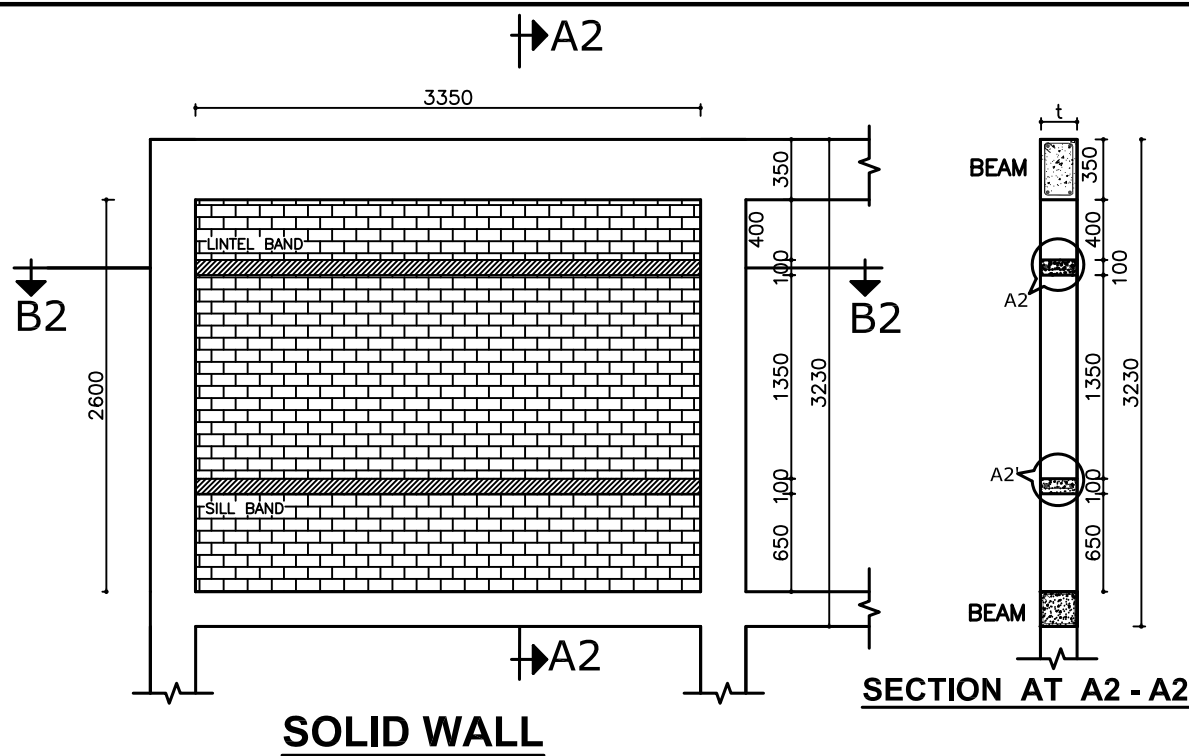
REINFORCEMENT DETAILS OF STAIRCASE FLIGHT-1



REINFORCEMENT DETAILS OF STAIRCASE FLIGHT-2

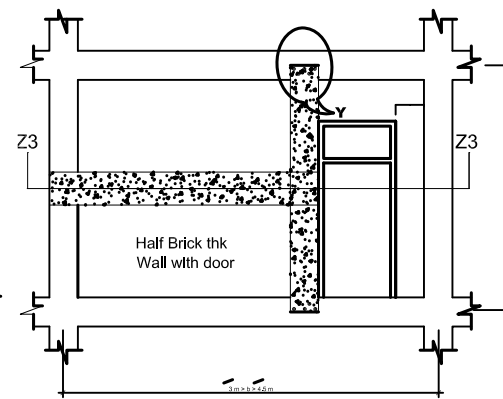
(SCALE - 1:25)



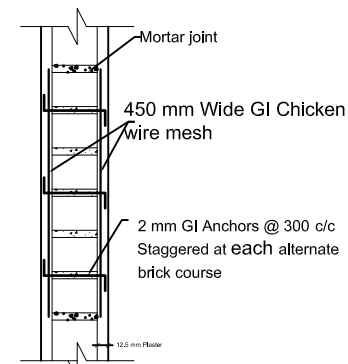


SOLID WALL

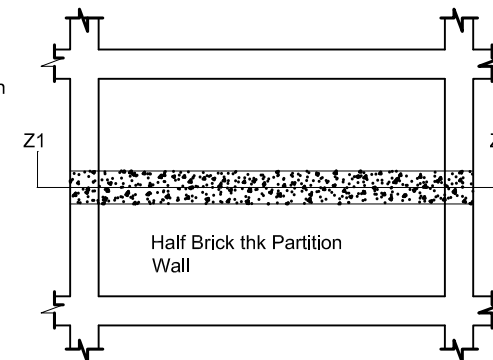
SECTION AT A2 - A2



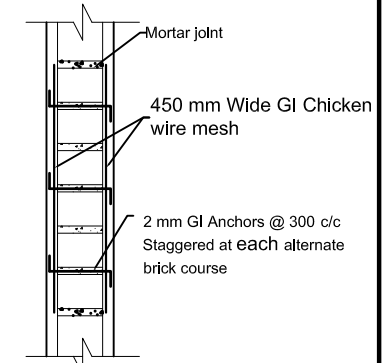
ELEVATION



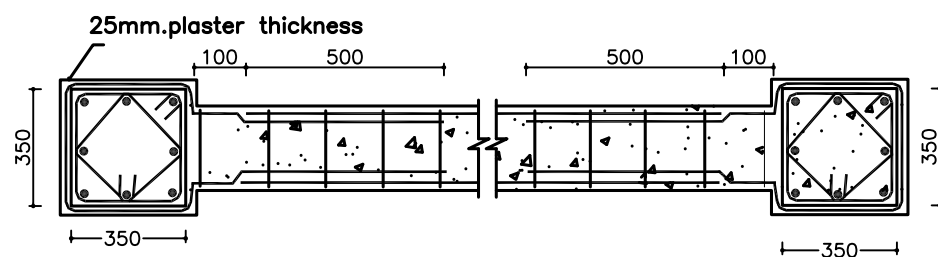
SECTION AT Z2 - Z2



ELEVATION

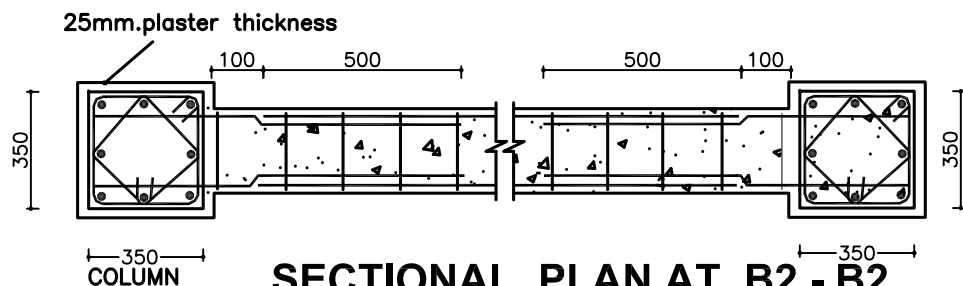


SECTION AT Z2 - Z2



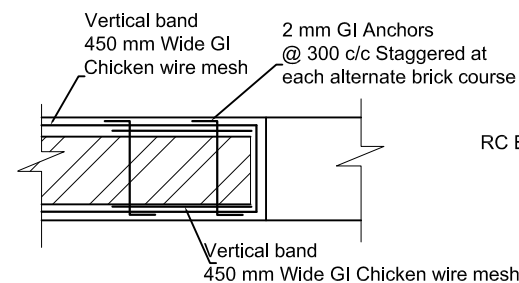
SECTIONAL PLAN AT B2 - B2

OPTION-I

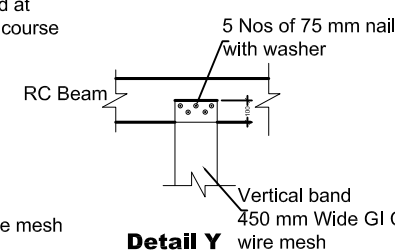


SECTIONAL PLAN AT B2 - B2

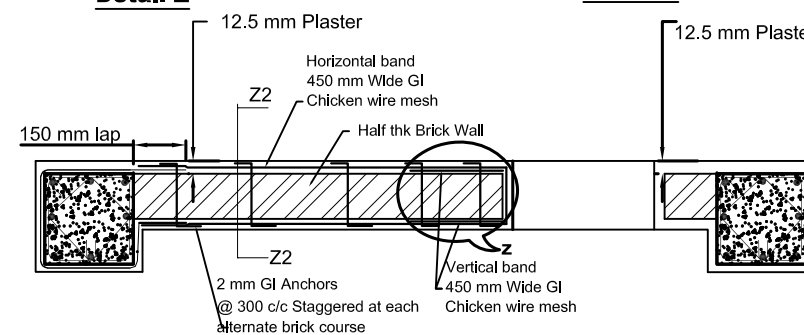
OPTION-II



Detail Z

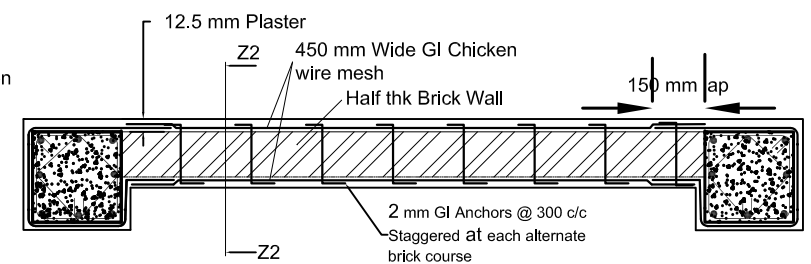


Detail Y



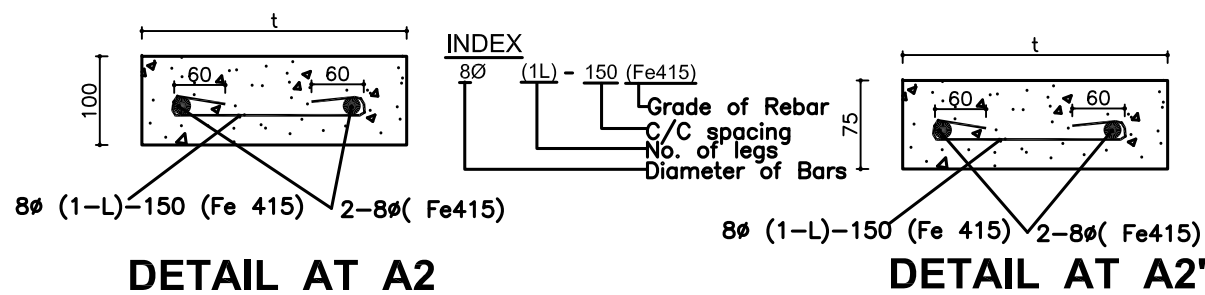
SECTIONAL PLAN AT Z3 - Z3

BAND Detail of Solid Partition Walls
Less than 6" thick wall



SECTIONAL PLAN AT Z1 - Z1

BAND Detail of Solid Partition Walls
Less than 6" thick wall



DETAIL AT A2

DETAIL AT A2'